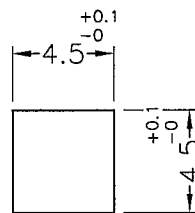
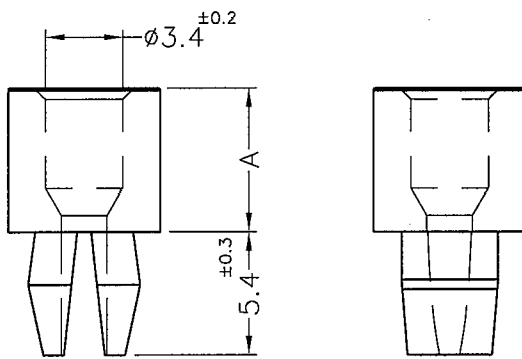
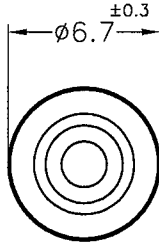


DIM.	TOL.
5mm DOWN.	±0.2
5~20mm	±0.3
20~40mm	±0.4
40~60mm	±0.5
60~100mm	±0.8
100mm UP.	±1.0




REVISIONS			
REV	DESCRIPTION	DATE	BY



MOUNTING HOLE
THICKNESS: 2.0mm

PART NO.	A
ETS-3	3.0
ETS-3.2	3.2
ETS-3.4	3.4
ETS-4.6	4.6
ETS-4.8	4.8
ETS-6.3	6.3
ETS-8	8.0
ETS-10	10.0
ETS-12	12.7
ETS-16	15.9
ETS-19	19.1

NOTE: MADE OF EQUIVALENT MATERIAL.
均可使用同等材質。

 <p>康揚企業股份有限公司 KANG YANG HARDWARE ENTERPRISE CO., LTD. 康揚塑膠(東莞)有限公司 KANG YANG PLASTIC(DONG GUAN) CO., LTD. 康哲電腦配件(吳江)有限公司 KANG CHE COMPUTER COMPONENTS(WUJIANG) CO., LTD.</p>				TITLE	SPEC. DWG.
				MATERIAL	DATE
				FINISH	DRAWN
PART NUMBER		DRAWING NUMBER	COLOR	CHECK	
SEE ABOVE		ETS-H	NATURAL		
SIZE	SCALE	UNIT	REV	APPROVED	
A4	3:1	mm	B		
UNLESS OTHERWISE SPECIFIED TOLERANCE				SEE ABOVE	