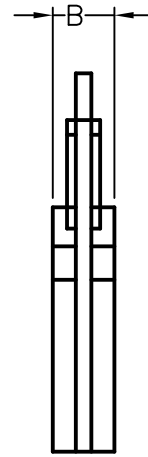
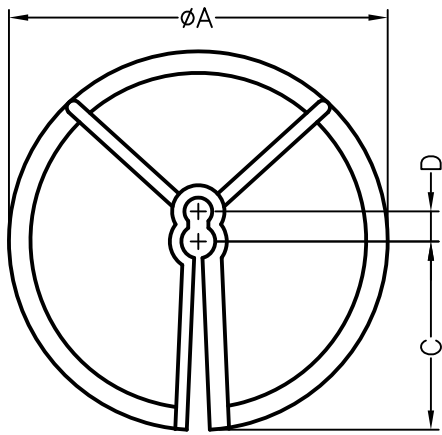


FIT CABLE: F



NOTE: A, D

PART NO.	A	B	C	D	F
FBT-1					
FBT-2					
FBT-3					
FBT-4		請參照目錄			
FBT-5					