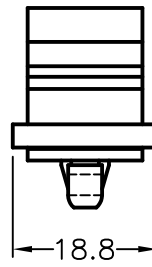
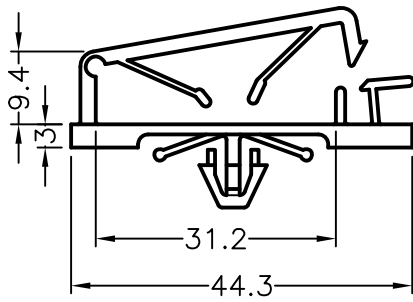


HOLE : ϕ G
THICKNESS: T



PART NO.	G	T
FCJ-30	6.5	2.2

NOTE: A, D