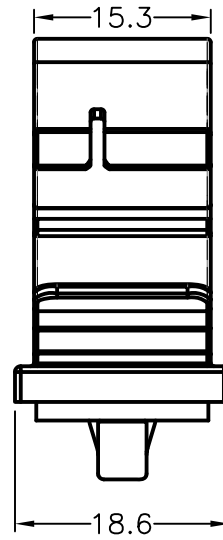
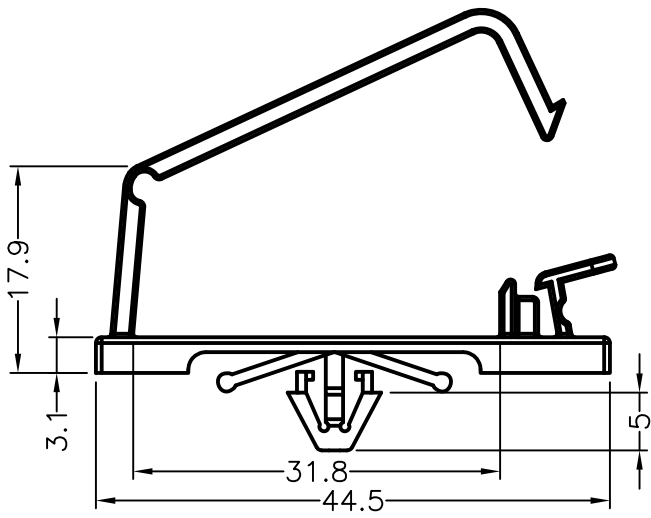


HOLE : $\phi$ G  
THICKNESS: T



PART NO.	G	T
FCJA-1	6.5	0.8~1.6

NOTE: A, D