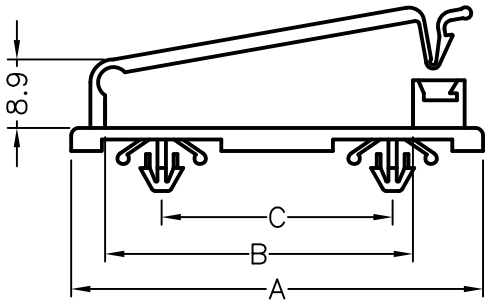




HOLE :  $\phi G$   
 THICKNESS: T



PART NO	A	B	C	D	G	T
FCT-2	53.8	40.0	30.0	19	4	0.8~2.2
FCT-3	45.8	32.0	25.0			

NOTE: A, D