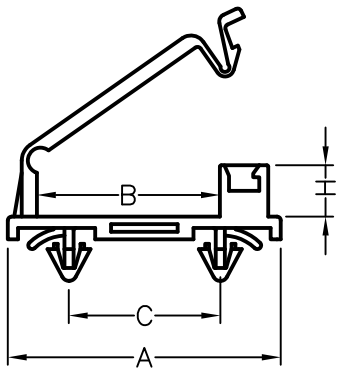


HOLE : ϕG
 THICKNESS: T



PART NO	A	B	C	D	G	H	T
FCT-6	36	24.2	20	8	4	6.8	0.8~1.2
FCT-6L	36.1	24.2		8		6.8	0.8~2
FCT-8	40	28.3		7.9		8.4	0.8~1.2

NOTE: A, D