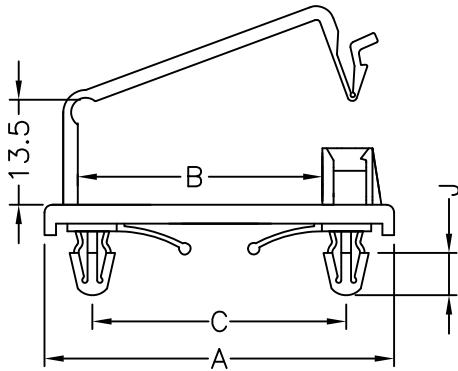


HOLE : ϕ G
 THICKNESS: T



PART NO	A	B	C	D	G	J	T
FCT-7	45.4	31.8	33	19.8	4.8	5.5	0.8~2.2
FCT-9						2.4	

NOTE: A, D