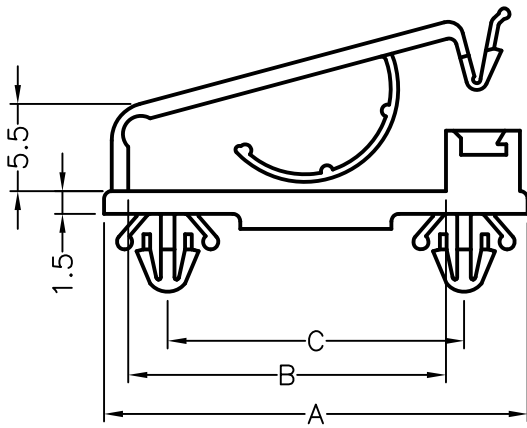




HOLE :  $\phi G$   
 THICKNESS: T



PART NO	A	B	C	D	G	T
FDT-2	28	21	19.6	8	3	0.8~1.2

NOTE: A, D