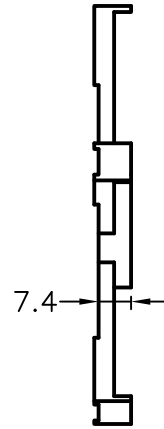
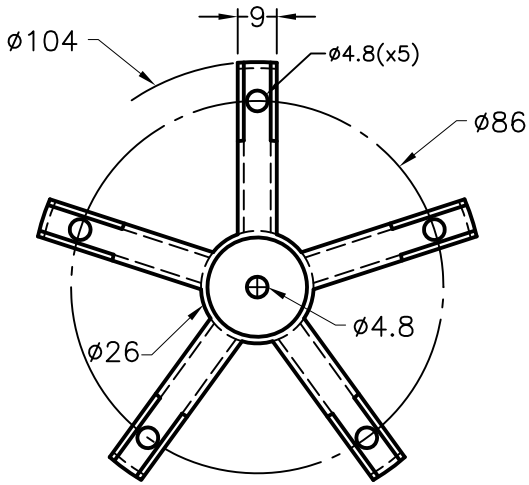


MOUNTING HOLES
FITTING: U



PART NO.	U
FSB-1	SCREW
FSB-1A	ADHESIVE

NOTE: A, D, E, G, K