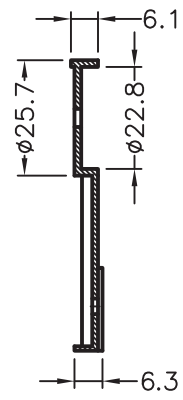
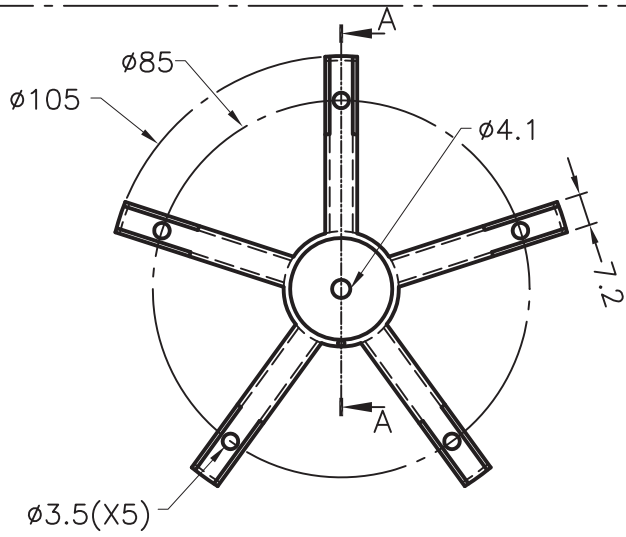


MOUNTING HOLES



SECTION A-A

NOTE: A, D