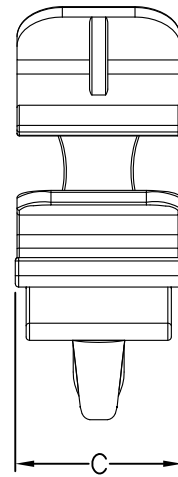
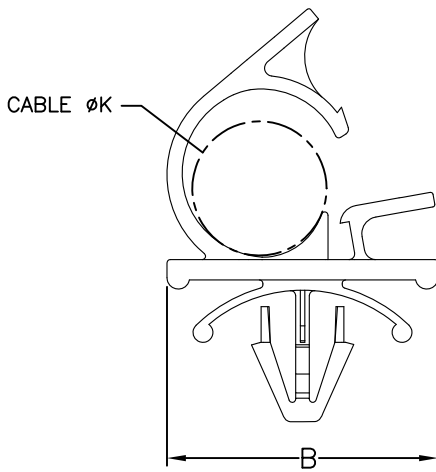


HOLE :  $\phi G$   
THICKNESS: T



| PART NO. | B    | C    | K   | G       | T       |
|----------|------|------|-----|---------|---------|
| FWKA-1   | 23.9 | 14.7 | 9.5 | 6.5~7.0 | 0.6~2.7 |

NOTE:A, D