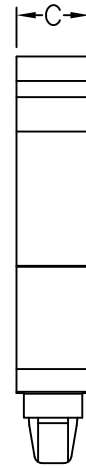
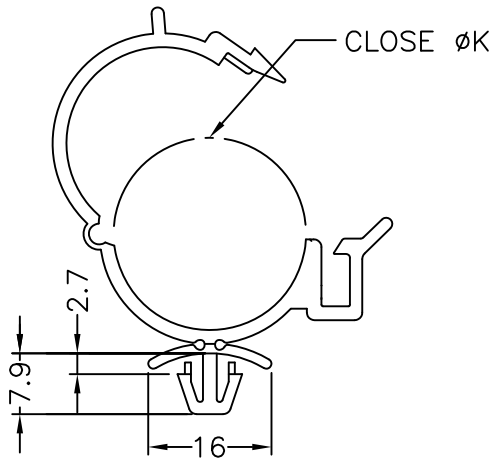


HOLE : G
THICKNESS: T



PART NO.	K	C	G	T
FWT-25	25	9.5	6.5	0.8~1.6
FWT-30	30	9.5		0.8~2.0

NOTE: A, D

其餘同目錄尺寸