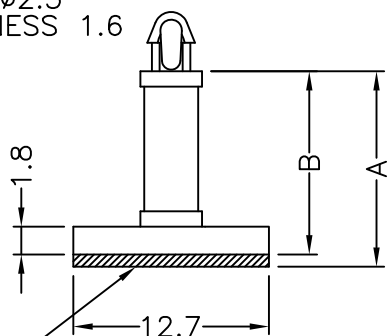
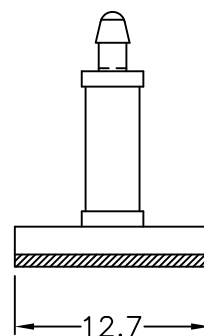


P.C.B $\phi 2.5$
THICKNESS 1.6



3M DOUBLE ADHESIVE TAPE



PART NO.	A	B
GSS-4.8	4.8	4.0
GSS-6.4	6.4	5.6
GSS-8	8.0	7.2
GSS-9.5	9.5	8.7
GSS-11.1	11.1	10.3
GSS-12.7	12.7	11.9
GSS-15.9	15.9	15.1
GSS-19.1	19.1	18.3