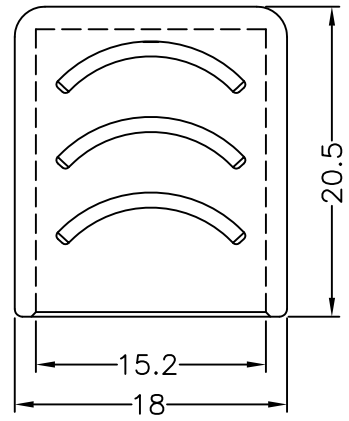
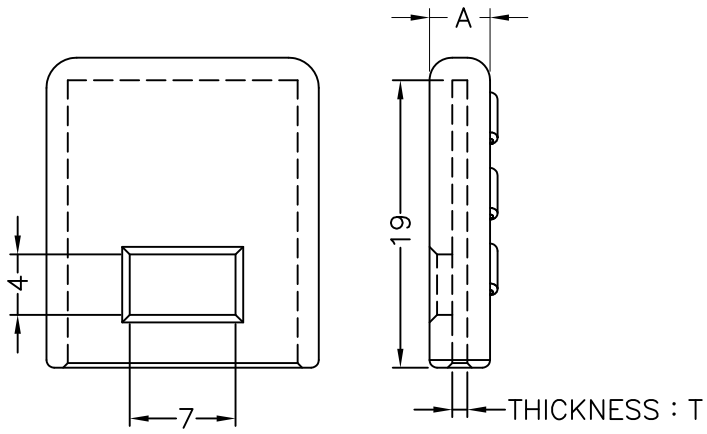


ASSEMBLY PART



PART NO.	A	T
HANE-36	4	0.8~1.0
HANE-48	4	1.2
HANE-55	3.5	0.8~1.0

NOTE:N