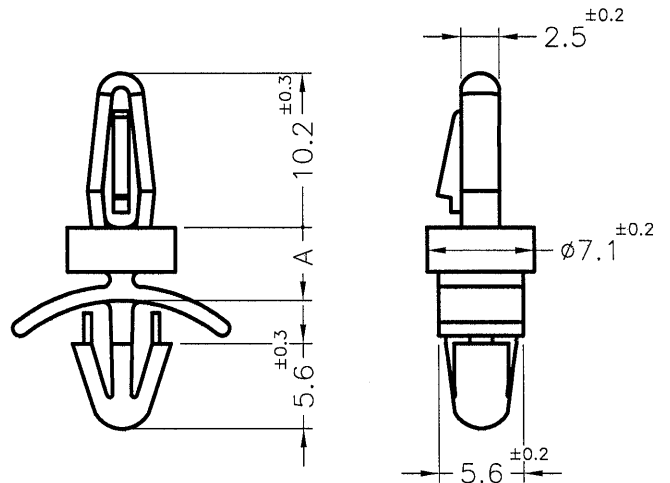
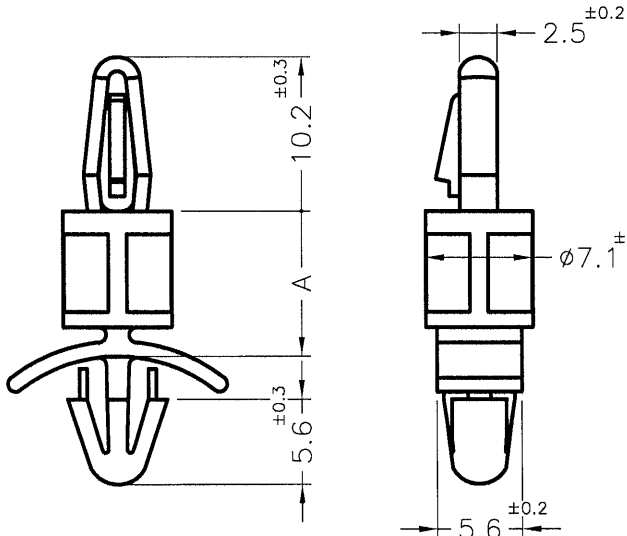


DIM.	TOL
L ≤ 10	±0.2
10 < L ≤ 30	±0.3
30 < L ≤ 50	±0.5
50 < L ≤ 100	±0.7
100 < L ≤ 250	±1.2
ABOVE 250	±1.5

HOLE IN P.C.B: $\phi 4.0\text{mm}$
P.C.B THICKNESS: 1.6mm

HOLE IN P.C.B: $\phi 4.0\text{mm}$
P.C.B THICKNESS: 1.6mm



HOLE IN P.C.B: $\phi 4.8\text{mm}$
P.C.B THICKNESS: 0.8~2.0mm

HOLE IN P.C.B: $\phi 4.8\text{mm}$
P.C.B THICKNESS: 0.8~2.0mm

PART NO.	A
HLCS-9.5	9.5
HLCS-12.7	12.7
HLCS-15.9	15.9
HLCS-25.4	25.4
HLCS-6.4	6.4

PART NO.	A
HLCS-4.8	4.8

- NOTE: 1. MADE OF EQUIVALENT MATERIAL.
均可使用同等材質。
2. ALL MEASUREMENT DOES NOT INCLUDE GATE WHICH RAISES UNDER 0.3mm.
所有尺寸量測皆不含進膠口, 膠口凸出0.3mm之內。



康揚企業股份有限公司
KANG YANG HARDWARE ENTERPRISE CO., LTD.
康揚塑膠(東莞)有限公司
KANG YANG PLASTIC(DONG GUAN)CO.,LTD.
康哲電腦配件(吳江)有限公司
KANG CHE COMPUTER COMPONENTS(WUJIANG)CO.,LTD.

ISO 9001
ISO 14001
QC 080000
IATF 16949

PROPRIETARY AND CONFIDENTIAL THE INFORMATION CONTAINED IN THIS DRAWING IS THE SOLE PROPERTY OF KANG YANG HARDWARE ENTERPRISE CO. ANY REPRODUCTION IN PART OR AS A WHOLE WITHOUT THE WRITTEN PERMISSION OF KANG YANG HARDWARE ENTERPRISE CO. IS PROHIBITED.	DATE	2010.11.01	TITLE	SPACER SUPPORT	DWG. NO.	HLCS-H	PART NO.	SEE ABOVE	
	DRAWN	SAI	MATERIAL	NYLON 66 UL94V-2	SIZE	A4	SPEC. DWG	REV	G
	CHECKED	Will	COLOR	NATURAL	FINISH				
	APPROVED	Kang	UNLESS OTHERWISE SPECIFIED TOLERANCE: SEE ABOVE		SCALE: NONE	UNIT	mm	SHEET 1 OF 1	