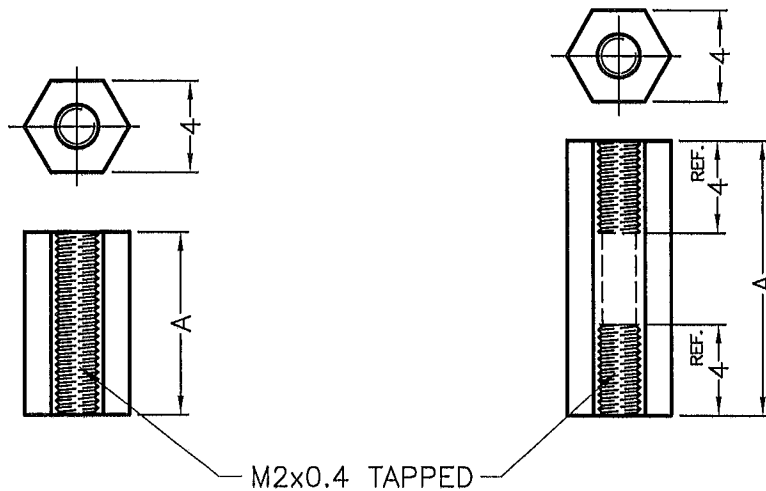


DIM.	TOL.
5mm DOWN	±0.2
5~20mm	±0.3
20~40mm	±0.4
40~60mm	±0.5
60~100mm	±0.8
100mm UP	±1.0

REVISIONS			
REV	DESCRIPTION	DATE	BY



PART NO.	A
HPS2-4	4.0
HPS2-4.5	4.5
HPS2-5	5.0
HPS2-6	6.0
HPS2-7	7.0
HPS2-8	8.0
HPS2-9	9.0
HPS2-10	10.0
HPS2-11	11.0
HPS2-12	12.0
HPS2-12.7	12.7

PART NO.	A
HPS2-13	13.0
HPS2-14	14.0
HPS2-15	15.0
HPS2-16	16.0
HPS2-17	17.0
HPS2-18	18.0
HPS2-19	19.0
HPS2-20	20.0
HPS2-21	21.0
HPS2-22	22.0
HPS2-23	23.0
HPS2-24	24.0
HPS2-25	25.0

NOTE:MADE OF EQUIVALENT MATERIAL.
均可使用同等材質。

<p>康揚企業股份有限公司 KANG YANG HARDWARE ENTERPRISE CO., LTD. 康揚塑膠(東莞)有限公司 KANG YANG PLASTIC(DONG GUAN) CO., LTD. 康哲電腦配件(吳江)有限公司 KANG CHE COMPUTER COMPONENTS(WUJIANG) CO., LTD.</p>	TITLE THREADED SPACER		SPEC. DWG.		
	MATERIAL NYLON 66 UL94V-2		DATE 2007.12.13		
	HARDNESS		DRAWN BUNNY		
	COLOR NATURAL		CHECK 		
PART NUMBER SEE ABOVE		DRAWING NUMBER HPS2-H		UNLESS OTHERWISE SPECIFIED TOLERANCE SEE ABOVE	
SIZE A4	SCALE 3:1	UNIT mm	REV B	APPROVED 	