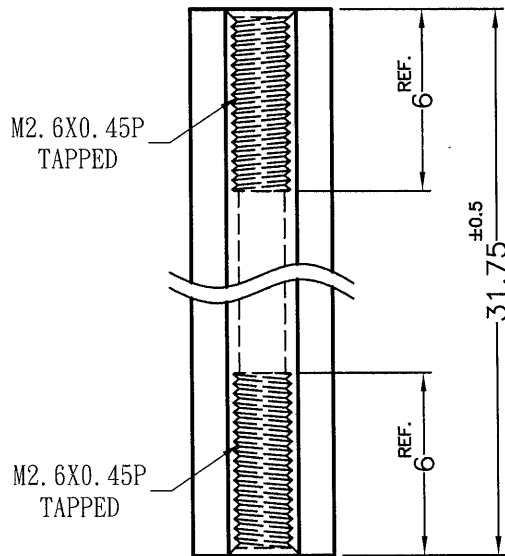
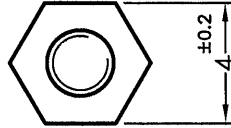


REVISIONS			
REV	DESCRIPTION	DATE	BY



NOTE:MADE OF EQUIVALENT MATERIAL.

均可使用同等材質.



康揚企業股份有限公司
 KANG YANG HARDWARE ENTERPRISE CO., LTD.
 康揚塑膠(東莞)有限公司
 KANG YANG PLASTIC(DONG GUAN)CO.,LTD.
 康哲電腦配件(吳江)有限公司
 KANG CHE COMPUTER COMPONENTS(WUJIANG) CO.,LTD.

PART NUMBER
 HPS2.6-31.75V0

DRAWING NUMBER
 HPS2.6-HV0

SIZE
 A4

SCALE
 4:1

UNIT
 mm

REV
 A

TITLE
 THREADED SPACER

MATERIAL
 NYLON 66 UL94V-0

FINISH

COLOR
 NATURAL(WHITE)

UNLESS OTHERWISE SPECIFIED
 TOLERANCE
 SEE ABOVE

SPEC. DWG.

DATE
 2018.10.09

DRAWN
 GINA

CHECK
 Will

APPROVED
 Kang