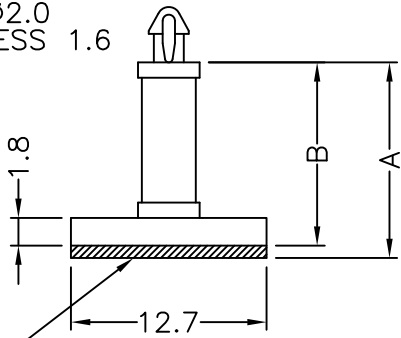
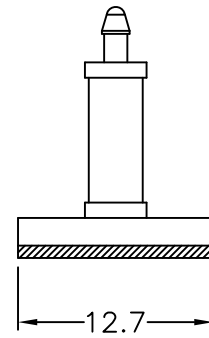


P.C.B Ø2.0
THICKNESS 1.6



3M DOUBLE ADHESIVE TAPE



PART NO.	A	B
ISS-4.8	4.8	4.0
ISS-6.4	6.4	5.6
ISS-8	8.0	7.2
ISS-9.5	9.5	8.7
ISS-11.1	11.1	10.3
ISS-12.7	12.7	11.9
ISS-15.9	15.9	15.1
ISS-19.1	19.1	18.3