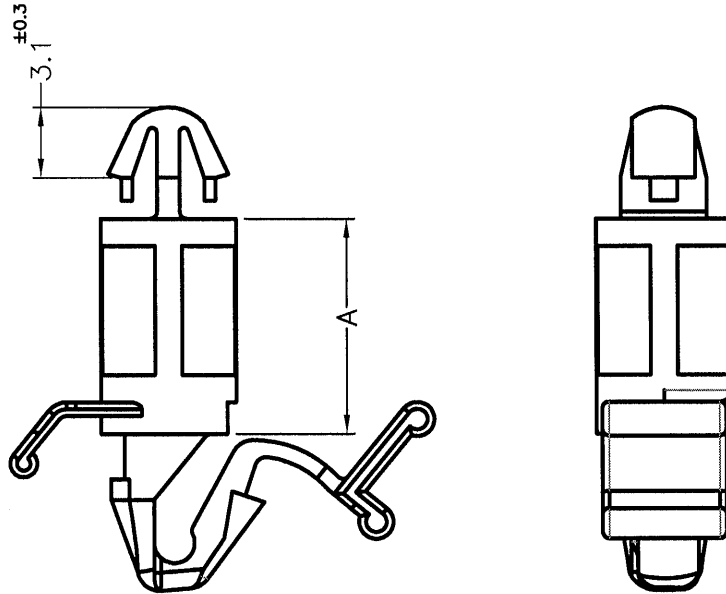


DIM.	TOL.
L ≤ 10	±0.2
10 < L ≤ 30	±0.3
30 < L ≤ 50	±0.5
50 < L ≤ 100	±0.7
100 < L ≤ 250	±1.2
ABOVE 250	±1.5

Patented Product  
專利產品

REVISIONS			
REV	DESCRIPTION	DATE	BY


MOUNTING HOLE  $\phi 4.0\text{mm}$   
CHASSIS THICKNESS 1.6mm



MOUNTING HOLE  $\phi 4.8\text{mm}$   
CHASSIS THICKNESS 0.8~1.6mm

PART NO.	A
KLCBL-9.5	9.5
KLCBL-12.7	12.7
KLCBL-15.9	15.9
KLCBL-19.1	19.1

NOTE: MADE OF EQUIVALENT MATERIAL.  
使用同等材質

 <p>康揚企業股份有限公司 KANG YANG HARDWARE ENTERPRISE CO., LTD. 康揚塑膠(東莞)有限公司 KANG YANG PLASTIC(DONG GUAN) CO., LTD. 康哲電腦配件(吳江)有限公司 KANG CHE COMPUTER COMPONENTS(WUJIANG) CO., LTD.</p>				TITLE	SPACER SUPPORT	SPEC. DWG.	
				MATERIAL	NYLON 66 UL94V-2	DATE	2012.07.03
				FINISH		DRAWN	T.C
				COLOR	NATURAL	CHECK	薛梅
PART NUMBER	SEE ABOVE	DRAWING NUMBER	KLCBL-H	UNLESS OTHERWISE SPECIFIED TOLERANCE	SEE ABOVE	APPROVED	Kang
SIZE	A4	SCALE	3:1	UNIT	mm	REV	A