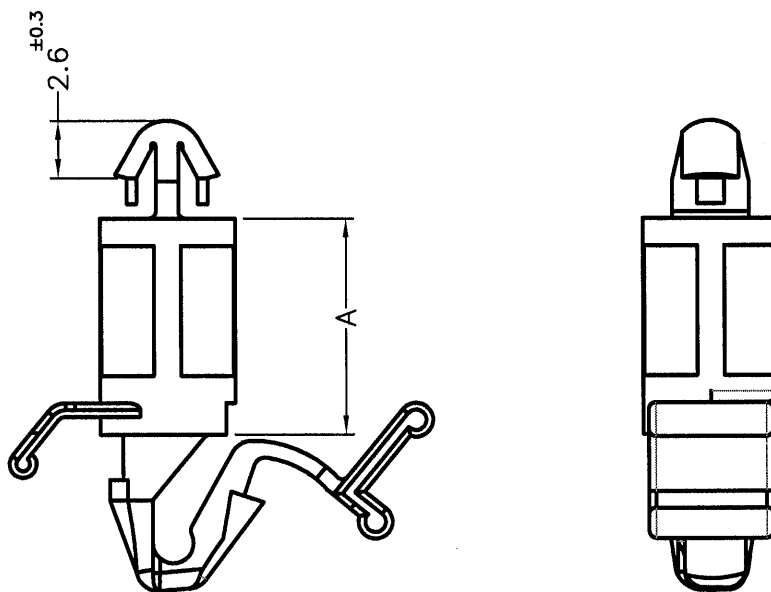


DIM.	TOL.
L≤10	±0.2
10<L≤30	±0.3
30<L≤50	±0.5
50<L≤100	±0.7
100<L≤250	±1.2
ABOVE 250	±1.5

Patented Product
專利產品

REVISIONS			
REV	DESCRIPTION	DATE	BY


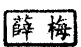
MOUNTING HOLE $\phi 3.5\text{mm}$
CHASSIS THICKNESS 1.6mm



MOUNTING HOLE $\phi 4.8\text{mm}$
CHASSIS THICKNESS 0.8~1.6mm

PART NO.	A
KLCBM-9.5	9.5
KLCBM-12.7	12.7
KLCBM-15.9	15.9
KLCBM-19.1	19.1

NOTE:MADE OF EQUIVALENT MATERIAL.
使用同等材質

 <p>康揚企業股份有限公司 KANG YANG HARDWARE ENTERPRISE CO., LTD. 康揚塑膠(東莞)有限公司 KANG YANG PLASTIC(DONG GUAN) CO.,LTD. 康哲電腦配件(吳江)有限公司 KANG CHE COMPUTER COMPONENTS(WUJIANG) CO.,LTD.</p>				TITLE	SPACER SUPPORT	SPEC. DWG.	
				MATERIAL	NYLON 66 UL94V-2	DATE	2012.07.03
				FINISH		DRAWN	T.C
PART NUMBER		DRAWING NUMBER		COLOR	CHECK		
SEE ABOVE		KLCBM-H		NATURAL			
SIZE	SCALE	UNIT	REV	UNLESS OTHERWISE SPECIFIED TOLERANCE	APPROVED		
A4	3:1	mm	A	SEE ABOVE	