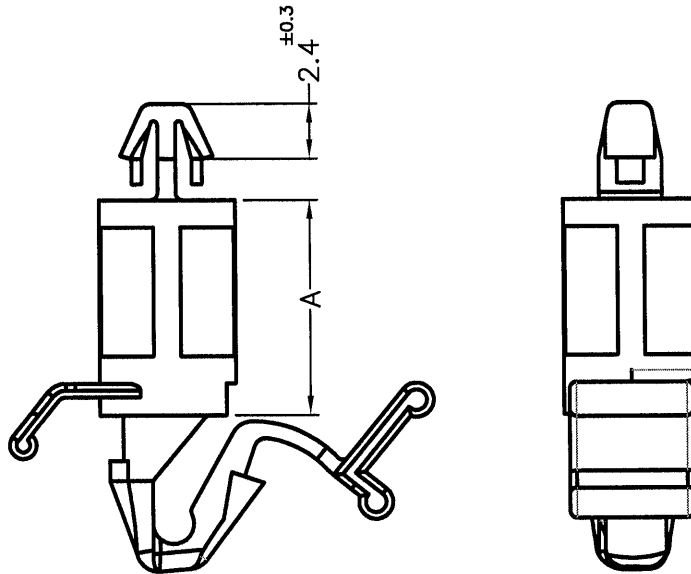


DIM.	TOL.
L≤10	±0.2
10<L≤30	±0.3
30<L≤50	±0.5
50<L≤100	±0.7
100<L≤250	±1.2
ABOVE 250	±1.5

Patented Product
專利產品

REVISIONS			
REV	DESCRIPTION	DATE	BY


MOUNTING HOLE $\phi 3.0\text{mm}$
CHASSIS THICKNESS 1.6mm



MOUNTING HOLE $\phi 4.8\text{mm}$
CHASSIS THICKNESS 0.8~1.6mm

PART NO.	A
KLCBS-9.5	9.5
KLCBS-12.7	12.7
KLCBS-15.9	15.9
KLCBS-19.1	19.1

NOTE:MADE OF EQUIVALENT MATERIAL.
使用同等材質

 <p>康揚企業股份有限公司 KANG YANG HARDWARE ENTERPRISE CO., LTD. 康揚塑膠(東莞)有限公司 KANG YANG PLASTIC(DONG GUAN) CO., LTD. 康哲電腦配件(吳江)有限公司 KANG CHE COMPUTER COMPONENTS(WUJIANG) CO., LTD.</p>				TITLE SPACER SUPPORT	SPEC. DWG.
				MATERIAL NYLON 66 UL94V-2	DATE 2012.07.03
				FINISH	DRAWN T.C
				COLOR NATURAL	CHECK 薛梅
PART NUMBER SEE ABOVE	DRAWING NUMBER KLCBS-H	UNLESS OTHERWISE SPECIFIED TOLERANCE SEE ABOVE		APPROVED Kang	
SIZE A4	SCALE 3:1	UNIT mm	REV A		