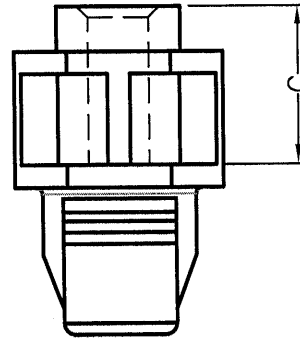
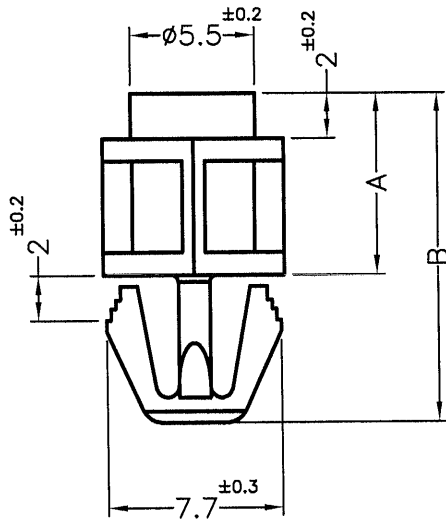
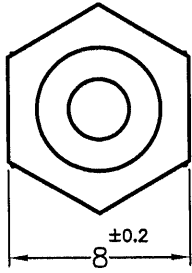


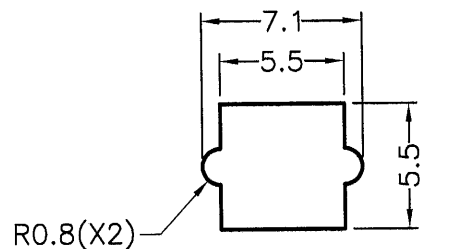
DIM.	TOL
L≤10	±0.2
10<L≤30	±0.3
30<L≤50	±0.5
50<L≤100	±0.7
100<L≤250	±1.2
ABOVE 250	±1.5

Patented Product
專利產品



PART NO.	A	B	C
KVLM3-10N	10	16.5	9

NOTE: 1. SHRINKING IS NORMAL STATUS.
內縮為正常現象。
2. MADE OF EQUIVALENT MATERIAL.
均可使用同等材質。



MOUNTING HOLE
THICKNESS 1.0~1.8mm



康揚企業股份有限公司
KANG YANG HARDWARE ENTERPRISE CO., LTD.
康揚塑膠(東莞)有限公司
KANG YANG PLASTIC(DONG GUAN)CO.,LTD.
康哲電腦配件(吳江)有限公司
KANG CHE COMPUTER COMPONENTS(WUJIANG)CO.,LTD.

PROPRIETARY AND CONFIDENTIAL
THE INFORMATION CONTAINED IN THIS DRAWING IS THE SOLE PROPERTY OF KANG YANG HARDWARE ENTERPRISE CO. ANY REPRODUCTION IN PART OR AS A WHOLE WITHOUT THE WRITTEN PERMISSION OF KANG YANG HARDWARE ENTERPRISE CO. IS PROHIBITED.

DATE
2010.11.19

DRAWN
Eric

CHECKED
彭永承

APPROVED/
Kang

TITLE
SPACER SUPPORT

MATERIAL
NYLON 66 UL94V-2

COLOR
NATURAL

FINISH
UNLESS OTHERWISE SPECIFIED
TOLERANCE: SEE ABOVE

DWG. NO.
KVLM3-H

SIZE
A4

SCALE: 3:1

PART NO.
SEE ABOVE

SPEC. DWG

UNIT
mm

REV
A

SHEET 1 OF 1

DO NOT SCALE DRAWING