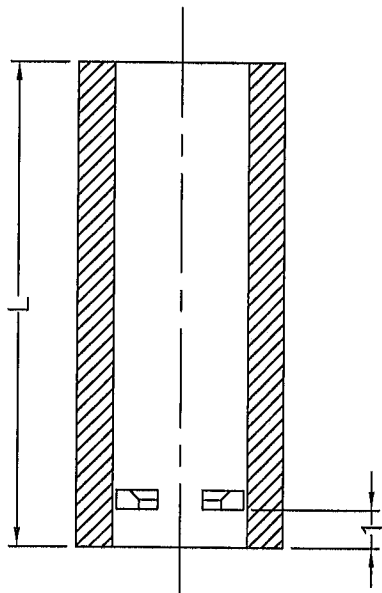
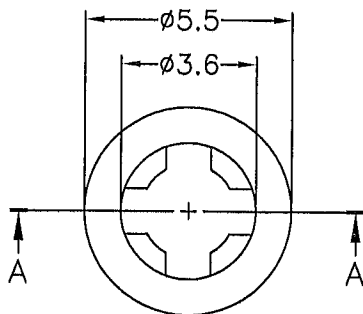


| DIM. | TOL |
|---------------|------|
| L ≤ 10 | ±0.2 |
| 10 < L ≤ 30 | ±0.3 |
| 30 < L ≤ 50 | ±0.5 |
| 50 < L ≤ 100 | ±0.7 |
| 100 < L ≤ 250 | ±1.2 |
| ABOVE 250 | ±1.5 |

| REVISIONS | | | |
|-----------|-------------|------|----|
| REV | DESCRIPTION | DATE | BY |
| | | | |
| | | | |




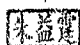
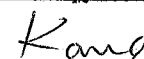
SECTION A-A



| PART NO. | L |
|-----------|------|
| KWH3-2 | 2.0 |
| KWH3-3 | 3.0 |
| KWH3-3.5 | 3.5 |
| KWH3-4 | 4.0 |
| KWH3-5 | 5.0 |
| KWH3-6 | 6.0 |
| KWH3-6.3 | 6.3 |
| KWH3-7 | 7.0 |
| KWH3-8 | 8.0 |
| KWH3-9 | 9.0 |
| KWH3-9.5 | 9.5 |
| KWH3-10 | 10.0 |
| KWH3-11 | 11.0 |
| KWH3-11.5 | 11.5 |
| KWH3-12 | 12.0 |
| KWH3-12.7 | 12.7 |
| KWH3-13 | 13.0 |
| KWH3-14 | 14.0 |

| PART NO. | L |
|-----------|------|
| KWH3-15 | 15.0 |
| KWH3-15.9 | 15.9 |
| KWH3-16 | 16.0 |
| KWH3-17 | 17.0 |
| KWH3-18 | 18.0 |
| KWH3-19 | 19.0 |
| KWH3-20 | 20.0 |
| KWH3-21 | 21.0 |
| KWH3-22 | 22.0 |
| KWH3-23 | 23.0 |
| KWH3-24 | 24.0 |
| KWH3-25 | 25.0 |
| KWH3-25.4 | 25.4 |
| KWH3-26 | 26.0 |
| KWH3-27 | 27.0 |
| KWH3-28 | 28.0 |
| KWH3-29 | 29.0 |
| KWH3-30 | 30.0 |

NOTE: MADE OF EQUIVALENT MATERIAL.
均可使用同等材質.

| | | | | |
|---|------------------------------|------------|--|---|
|  <p>康揚企業股份有限公司 KANG YANG HARDWARE ENTERPRISE CO., LTD. 康揚塑膠(東莞)有限公司 KANG YANG PLASTIC(DONG GUAN) CO., LTD. 康哲電腦配件(吳江)有限公司 KANG CHE COMPUTER COMPONENTS(WUJIANG) CO., LTD.</p> | TITLE SPACER SUPPORT | | SPEC. DWG. | |
| | MATERIAL NYLON 66 UL94V-2 | | DATE 2011.12.23 | |
| | FINISH | | DRAWN ROBERT | |
| | COLOR NATURAL | | CHECK  | |
| PART NUMBER SEE ABOVE | DRAWING NUMBER KWH3-H | | UNLESS OTHERWISE SPECIFIED TOLERANCE SEE ABOVE | |
| SIZE A4 | SCALE 5:1 | UNIT mm | REV D | APPROVED  |