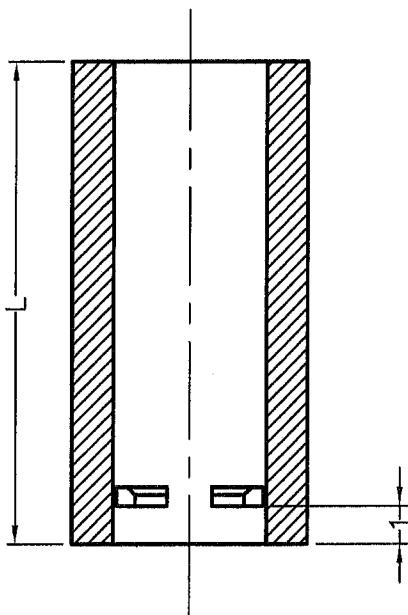


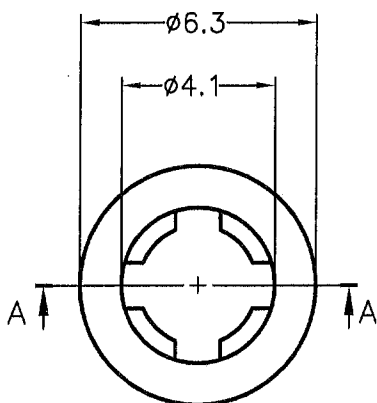
DIM.	TOL
L≤10	±0.2
10<L≤30	±0.3
30<L≤50	±0.5
50<L≤100	±0.7
100<L≤250	±1.2
ABOVE 250	±1.5

REVISIONS			
REV	DESCRIPTION	DATE	BY



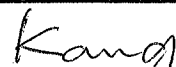
PART NO.	L
KWH3.5-2	2.0
KWH3.5-3	3.0
KWH3.5-4	4.0
KWH3.5-5	5.0
KWH3.5-6	6.0
KWH3.5-6.3	6.3
KWH3.5-7	7.0
KWH3.5-8	8.0
KWH3.5-9	9.0
KWH3.5-10	10.0
KWH3.5-11	11.0
KWH3.5-12	12.0
KWH3.5-12.7	12.7
KWH3.5-13	13.0
KWH3.5-14	14.0
KWH3.5-15	15.0
KWH3.5-15.9	15.9
KWH3.5-16	16.0
KWH3.5-17	17.0
KWH3.5-18	18.0
KWH3.5-19	19.0
KWH3.5-20	20.0
KWH3.5-21	21.0
KWH3.5-22	22.0
KWH3.5-23	23.0
KWH3.5-24	24.0
KWH3.5-25	25.0
KWH3.5-25.4	25.4
KWH3.5-26	26.0
KWH3.5-27	27.0
KWH3.5-28	28.0
KWH3.5-29	29.0
KWH3.5-30	30.0



SECTION A-A



NOTE: All measurement does not include gate which raises under 0.3mm.

 康揚企業股份有限公司 KANG YANG HARDWARE ENTERPRISE CO., LTD. 康揚塑膠(東莞)有限公司 KANG YANG PLASTIC(DONG GUAN) CO., LTD. 康哲電腦配件(吳江)有限公司 KANG CHE COMPUTER COMPONENTS(WUJIANG) CO., LTD.		TITLE	SPEC. DWG.
		MATERIAL	DATE
PART NUMBER		FINISH	DRAWN
DRAWING NUMBER		COLOR	CHECK
SIZE	SCALE	UNLESS OTHERWISE SPECIFIED TOLERANCE	APPROVED
A4	NONE	NATURAL	 
SEE ABOVE	KWH3.5-H	SEE ABOVE	
UNIT	REV		
mm	B		