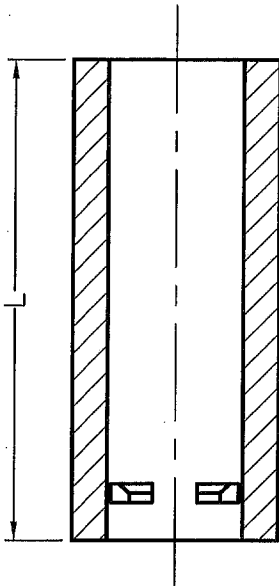
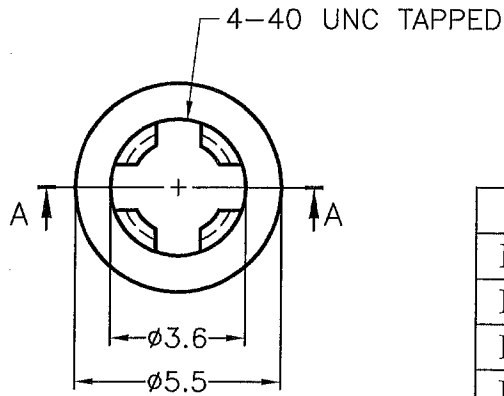


DIM.	TOL
L≤10	±0.2
10<L≤30	±0.3
30<L≤50	±0.5
50<L≤100	±0.7
100<L≤250	±1.2
ABOVE 250	±1.5

REVISIONS			
REV	DESCRIPTION	DATE	BY



SECTION A-A

PART NO.	L
KWH440-2	2.0
KWH440-3	3.0
KWH440-4	4.0
KWH440-5	5.0
KWH440-6	6.0
KWH440-6.3	6.3
KWH440-7	7.0
KWH440-8	8.0
KWH440-9	9.0
KWH440-9.5	9.5
KWH440-10	10.0
KWH440-11	11.0
KWH440-12	12.0
KWH440-13	13.0
KWH440-14	14.0
KWH440-15	15.0
KWH440-15.9	15.9

PART NO.	L
KWH440-16	16.0
KWH440-17	17.0
KWH440-18	18.0
KWH440-19	19.0
KWH440-20	20.0
KWH440-21	21.0
KWH440-22	22.0
KWH440-23	23.0
KWH440-24	24.0
KWH440-25	25.0
KWH440-25.4	25.4
KWH440-26	26.0
KWH440-27	27.0
KWH440-28	28.0
KWH440-29	29.0
KWH440-30	30.0

NOTE: All measurement does not include gate which raises under 0.3mm.

<p>康揚企業股份有限公司 KANG YANG HARDWARE ENTERPRISE CO., LTD. 康揚塑膠(東莞)有限公司 KANG YANG PLASTIC(DONG GUAN) CO., LTD. 康哲電腦配件(吳江)有限公司 KANG CHE COMPUTER COMPONENTS(WUJIANG) CO., LTD.</p>	TITLE SPACER SUPPORT		SPEC. DWG.	
	MATERIAL NYLON 66 UL94V-2		DATE 2011.12.23	
	FINISH		DRAWN ROBERT	
	COLOR NATURAL		CHECK 	
PART NUMBER SEE ABOVE		DRAWING NUMBER KWH440-H		UNLESS OTHERWISE SPECIFIED TOLERANCE SEE ABOVE
SIZE A4	SCALE NONE	UNIT mm	REV A	APPROVED 