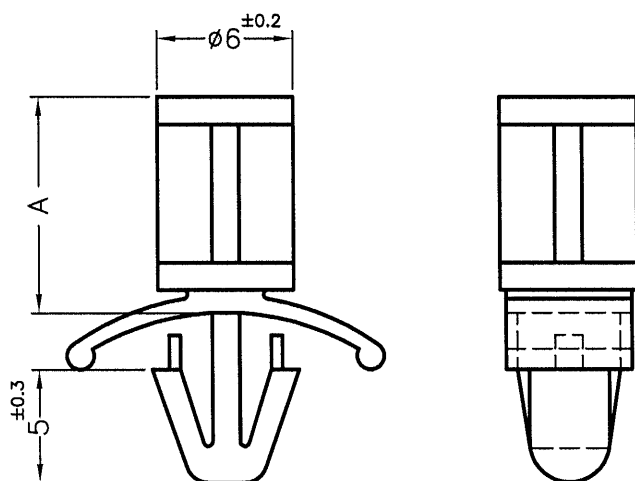


DIM.	TOL.
5mm DOWN.	±0.2
5~20mm	±0.3
20~40mm	±0.4
40~60mm	±0.5
60~100mm	±0.8
100mm UP.	±1.0

REVISIONS			
REV	DESCRIPTION	DATE	BY




HOLE IN CHASSIS  $\phi 4.8 \sim \phi 5.0$   
CHASSIS THICKNESS 0.8~2.0

PART NO.	A
LAS-3	3.5
LAS-5	4.8
LAS-6	6.0
LAS-6A	6.4
LAS-8	7.9
LAS-9	9.5
LAS-11	11.1
LAS-12	12.7
LAS-16	15.9
LAS-19	19.1
LAS-22	22.2
LAS-24	24.0
LAS-25	25.4
LAS-27.5	27.5
LAS-28	28.6
LAS-31.1	31.1
LAS-31.7	31.7
LAS-35	34.9

NOTE: MADE OF EQUIVALENT MATERIAL.

可使用同等材質。

 <p>康揚企業股份有限公司 KANG YANG HARDWARE ENTERPRISE CO., LTD. 康揚塑膠(東莞)有限公司 KANG YANG PLASTIC(DONG GUAN) CO., LTD. 康哲電腦配件(吳江)有限公司 KANG CHE COMPUTER COMPONENTS(WUJIANG) CO., LTD.</p>				TITLE	SPACER SUPPORT	SPEC. DWG.	
				MATERIAL	NYLON 66 UL94V-2	DATE	1999.06.02
				FINISH		DRAWN	JASON
				COLOR	NATURAL	CHECK	<i>Will</i>
PART NUMBER	SEE ABOVE	DRAWING NUMBER	LAS-H	UNLESS OTHERWISE SPECIFIED TOLERANCE	SEE ABOVE	APPROVED	<i>Kang</i>
SIZE	A4	SCALE	NONE	UNIT	mm	REV	B