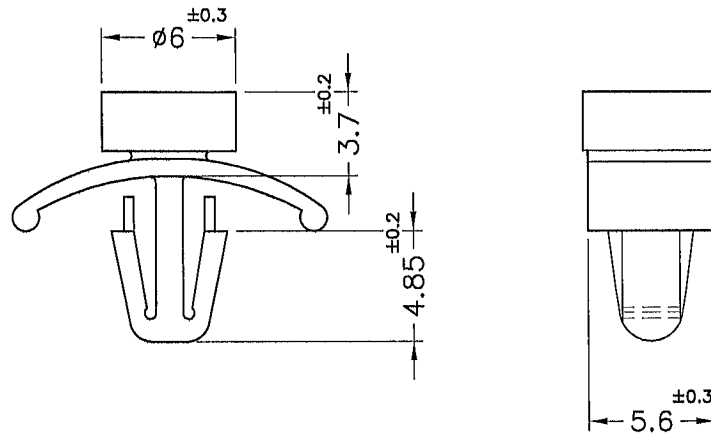

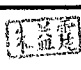


REVISIONS			
REV	DESCRIPTION	DATE	BY



CHASSIS THICKNESS 1.0mm~2.0mm
HOLE IN DIMENSIONS $\phi 4.0$

NOTE:MADE OF EQUIVALENT MATERIAL.
可使用同等材質。

 <p>康揚企業股份有限公司 KANG YANG HARDWARE ENTERPRISE CO., LTD. 康揚塑膠(東莞)有限公司 KANG YANG PLASTIC(DONG GUAN)CO.,LTD. 康哲電腦配件(吳江)有限公司 KANG CHE COMPUTER COMPONENTS(WUJIANG) CO.,LTD.</p>		TITLE	SPACER SUPPORT	SPEC. DWG.	
		MATERIAL	NYLON 66 UL94V-2	DATE	2010.10.27
		FINISH		DRAWN	T.C
		COLOR	NATURAL	CHECK	
PART NUMBER	LASB-3.7	DRAWING NUMBER	LASB-3.7	UNLESS OTHERWISE SPECIFIED TOLERANCE	SEE ABOVE
SIZE	A4	SCALE	3:1	UNIT	mm
		REV	A	APPROVED	