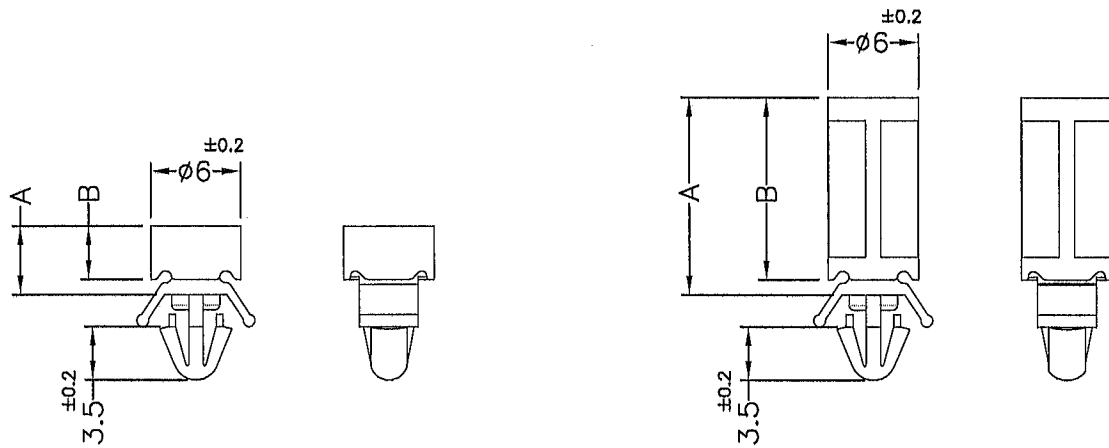


REVISIONS			
REV	DESCRIPTION	DATE	BY



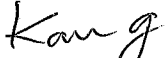


MOUNTING HOLE  $\phi 3.5\text{mm}$   
CHASSIS THICKNESS 1.2~1.6mm

PART NO.	A	B
LASE-4.5	4.5 <sup>±0.2</sup>	3.5 <sup>±0.2</sup>

PART NO.	A	B
LASE-7	7 <sup>±0.2</sup>	6 <sup>±0.2</sup>
LASE-12	12 <sup>±0.3</sup>	11 <sup>±0.3</sup>

NOTE:MADE OF EQUIVALENT MATERIAL.  
可使用同等材質

 康揚企業股份有限公司 KANG YANG HARDWARE ENTERPRISE CO., LTD. 康揚塑膠(東莞)有限公司 KANG YANG PLASTIC(DONG GUAN) CO., LTD. 康哲電腦配件(吳江)有限公司 KANG CHE COMPUTER COMPONENTS(WUJIANG) CO., LTD.				TITLE	SPACER SUPPORT		SPEC. DWG	
				MATERIAL	NYLON 66 UL94V-2		DATE	2014.07.30
PART NUMBER				FINISH	DRAWN			
SEE ABOVE				COLOR	NATURAL			
DRAWING NUMBER				UNLESS OTHERWISE SPECIFIED TOLERANCE	CHECK			
LASE-H				SEE ABOVE		APPROVED		
SIZE	SCALE	UNIT	REV					
A4	2:1	mm	A					