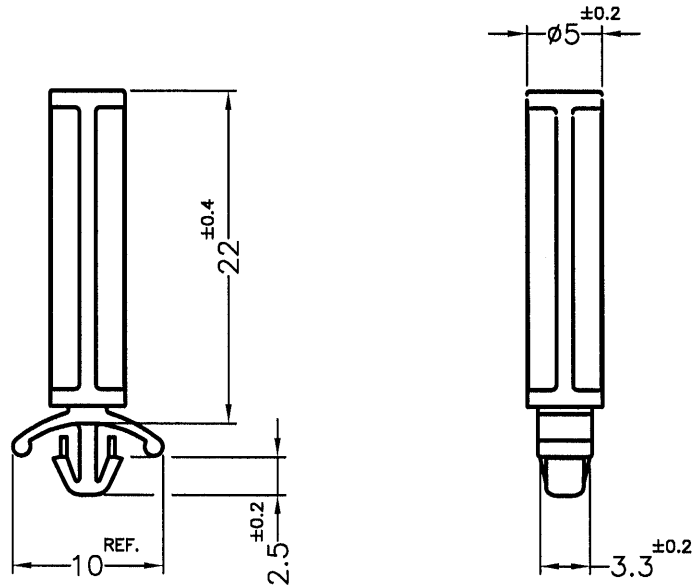



REVISIONS			
REV	DESCRIPTION	DATE	BY



HOLE IN P.C.B $\phi 3.5$
P.C.B THICKNESS 0.8~1.8mm

NOTE:1. SHRINKING IS NORMAL STATUS.
內縮為正常現象。
2. MADE OF EQUIVALENT MATERIAL.
均可使用同等材質。

 <p>康揚企業股份有限公司 KANG YANG HARDWARE ENTERPRISE CO., LTD. 康揚塑膠(東莞)有限公司 KANG YANG PLASTIC(DONG GUAN) CO., LTD. 康哲電腦配件(吳江)有限公司 KANG CHE COMPUTER COMPONENTS(WUJIANG) CO., LTD.</p>				TITLE	SPACER SUPPORT	SPEC. DWG.	
				MATERIAL	NYLON 66 UL94V-0	DATE	2017.01.04
				FINISH		DRAWN	Y.C.P
				COLOR	NATURAL(WHITE)	CHECK	薛梅
PART NUMBER	LASH-22V0	DRAWING NUMBER	LASH-HV0	UNLESS OTHERWISE SPECIFIED TOLERANCE	SEE ABOVE	APPROVED	Kang
SIZE	A4	SCALE	2:1	UNIT	mm	REV	A