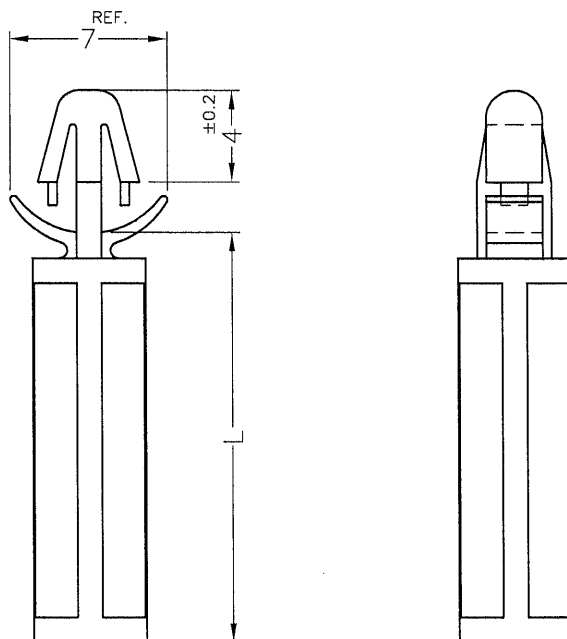


DTM.	TOL
L≤10	±0.2
10<L≤30	±0.3
30<L≤50	±0.5
50<L≤100	±0.7
100<L≤250	±1.2
ABOVE 250	±1.5


REVISIONS			
REV	DESCRIPTION	DATE	BY

HOLE IN P.C.B:  $\phi 3.5\text{mm}$   
P.C.B THICKNESS: 1.6mm



PART NO.	L
LASJ-17	17.0
LASJ-18	18.0

NOTE: 1. SHRINKING IS NORMAL STATUS.  
內縮為正常現象。  
2. MADE OF EQUIVALENT MATERIAL.  
均可使用同等材質。

 <p>康揚企業股份有限公司 KANG YANG HARDWARE ENTERPRISE CO., LTD. 康揚塑膠(東莞)有限公司 KANG YANG PLASTIC(DONG GUAN) CO., LTD. 康哲電腦配件(吳江)有限公司 KANG CHE COMPUTER COMPONENTS(WUJIANG) CO., LTD.</p>				TITLE	SPEC. DWG.
				MATERIAL	DATE
				FINISH	DRAWN
PART NUMBER		DRAWING NUMBER		COLOR	CHECK
SEE ABOVE		LASJ-H		NATURAL	彭永承
SIZE	SCALE	UNIT	REV	UNLESS OTHERWISE SPECIFIED TOLERANCE	APPROVED
A4	3:1	mm	A	SEE ABOVE	Kang