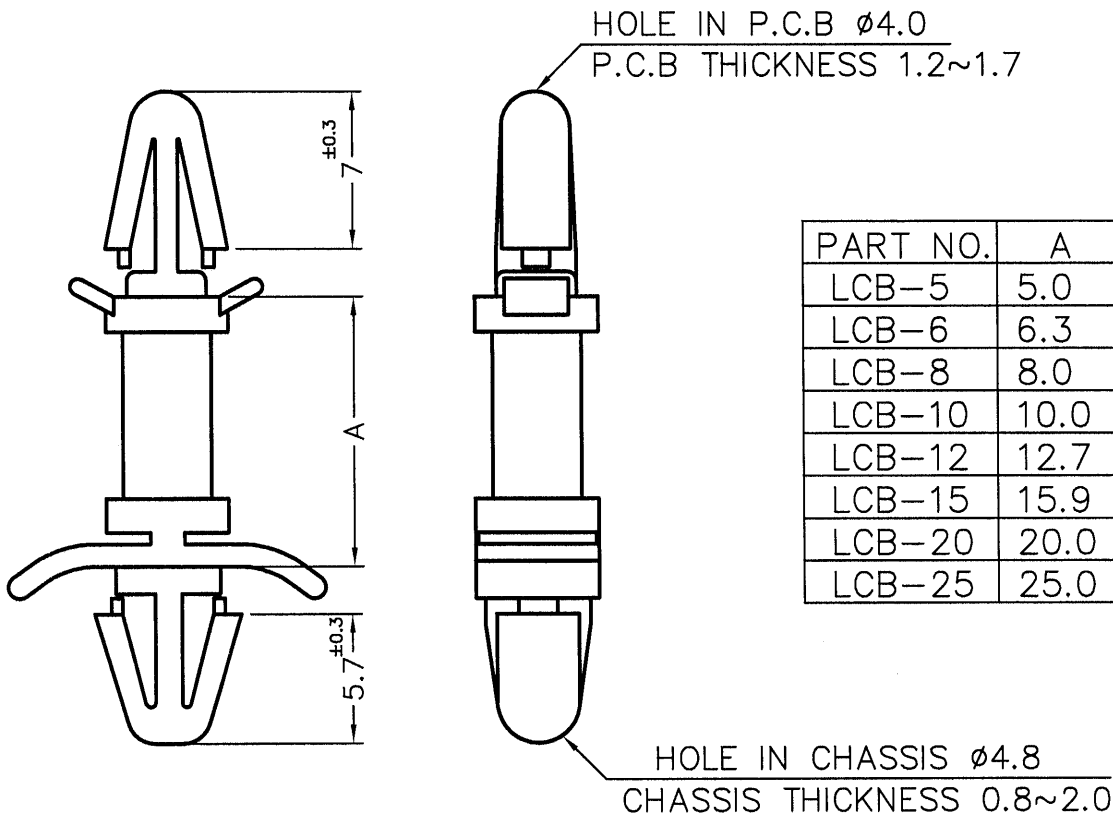




DIM.	TOL
5mm DOWN	±0.2
5~20mm	±0.3
20~40mm	±0.4
40~60mm	±0.5
60~100mm	±0.8
100mm UP	±1.0

REVISIONS			
REV	DESCRIPTION	DATE	BY



PART NO.	A
LCB-5	5.0
LCB-6	6.3
LCB-8	8.0
LCB-10	10.0
LCB-12	12.7
LCB-15	15.9
LCB-20	20.0
LCB-25	25.0

NOTE:MADE OF EQUIVALENT MATERIAL.
均可使用同等材質.

 康揚企業股份有限公司 KANG YANG HARDWARE ENTERPRISE CO., LTD. 康揚塑膠(東莞)有限公司 KANG YANG PLASTIC(DONG GUAN) CO.,LTD. 康哲電腦配件(吳江)有限公司 KANG CHE COMPUTER COMPONENTS(WUJIANG) CO.,LTD.				TITLE	SPACER SUPPORT	SPEC. DWG.	
				MATERIAL	NYLON 66 UL94V-2	DATE	1997.07.08
				FINISH		DRAWN	JASON
PART NUMBER	SEE ABOVE	DRAWING NUMBER	LCB-H	COLOR	NATURAL	CHECK	
SIZE	A4	SCALE	NONE	UNIT	mm	REV	A
				UNLESS OTHERWISE SPECIFIED TOLERANCE	SEE ABOVE	APPROVED	