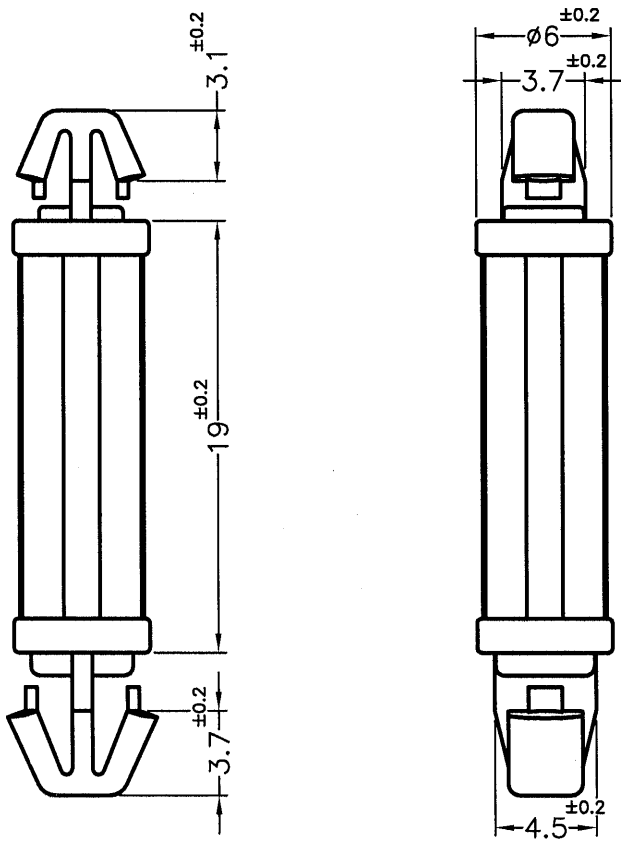




REVISIONS			
REV	DESCRIPTION	DATE	BY

HOLE IN P.C.B ϕ 4.0mm
P.C.B THICKNESS 1.6mm



HOLE IN P.C.B ϕ 4.8mm
P.C.B THICKNESS 2.4mm

NOTE:MADE OF EQUIVALENT MATERIAL.
均可使用同等材質.

 <p>康揚企業股份有限公司 KANG YANG HARDWARE ENTERPRISE CO., LTD. 康揚塑膠(東莞)有限公司 KANG YANG PLASTIC(DONG GUAN)CO.,LTD. 康哲電腦配件(吳江)有限公司 KANG CHE COMPUTER COMPONENTS(WUJIANG) CO.,LTD.</p>		TITLE	SPACER SUPPORT	TITLE	SPEC. DWG.
		MATERIAL	NYLON 66 UL94V-2	DATE	2018.05.08
		FINISH		DRAWN	L.K.J.
		COLOR	NATURAL	CHECK	
PART NUMBER	LCBM-19L	DRAWING NUMBER	LCBM-HL	UNLESS OTHERWISE SPECIFIED TOLERANCE	SEE ABOVE
SIZE	A4	SCALE	3:1	UNIT	mm
REV	A	APPROVED	