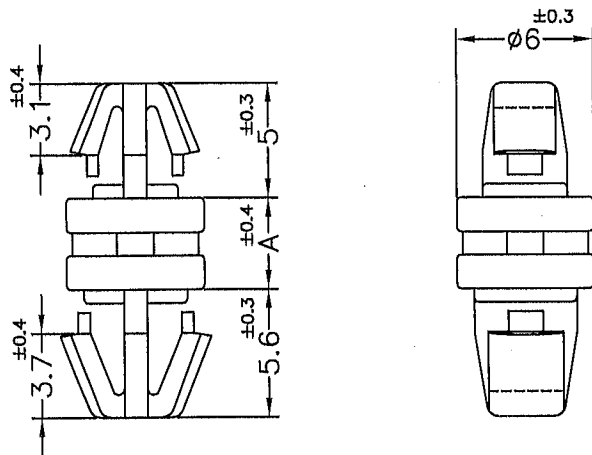


REVISIONS			
REV	DESCRIPTION	DATE	BY



FOR P.C.B $\phi 4.0$
FOR CHASSIS THICKNESS 1.6



PART NO.	A
LCBM-3	3.0
LCBM-4	4.0
LCBM-6	6.0
LCBM-8	8.0
LCBM-10	10.0
LCBM-12	12.0
LCBM-14	14.0
LCBM-16	16.0
LCBM-18	18.0

FOR P.C.B $\phi 4.8$
FOR CHASSIS THICKNESS 1.6

NOTE:MADE OF EQUIVALENT MATERIAL.
可使用同等材質

 <p>康揚企業股份有限公司 KANG YANG HARDWARE ENTERPRISE CO., LTD. 康揚塑膠(東莞)有限公司 KANG YANG PLASTIC(DONG GUAN) CO., LTD. 康哲電腦配件(吳江)有限公司 KANG CHE COMPUTER COMPONENTS(WUJIANG) CO., LTD.</p>	TITLE SPACER SUPPORT		SPEC. DWG	
	MATERIAL NYLON 66 UL94V-2		DATE 2007.03.22	
	FINISH		DRAWN FRANK	
	COLOR NATURAL		CHECK 	
PART NUMBER SEE ABOVE	DRAWING NUMBER LCBM-H		UNLESS OTHERWISE SPECIFIED TOLERANCE SEE ABOVE	
SIZE A4	SCALE 4:1	UNIT mm	REV A	APPROVED 