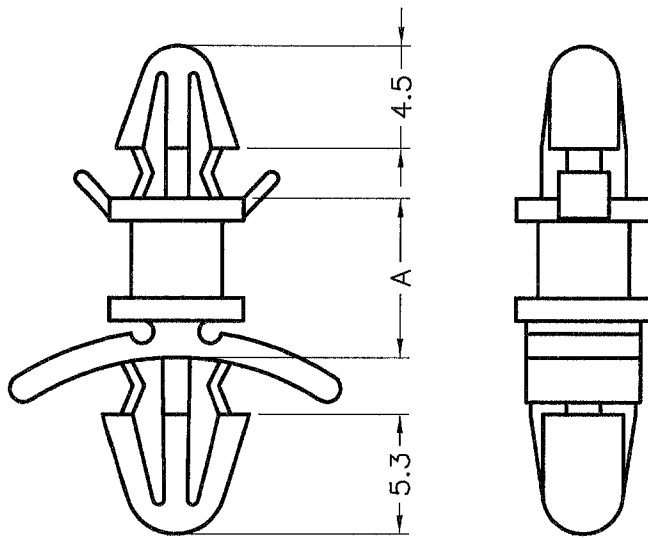


DIM.	TOL
5mm DOWN	±0.2
5~20mm	±0.3
20~40mm	±0.4
40~60mm	±0.5
60~100mm	±0.8
100mm UP	±1.0

REVISIONS			
REV	DESCRIPTION	DATE	BY

HOLE IN P.C.B  $\phi 4.0$   
P.C.B THICKNESS 1.6



PART NO.	A
LCBS-4	4.0
LCBS-5	5.0
LCBS-6	6.35
LCBS-7	7.0
LCBS-9	9.2
LCBS-10	10.0
LCBS-12	12.5
LCBS-15	15.7
LCBS-19	19.0
LCBS-20	20.0
LCBS-22	22.0
LCBS-25	25.4
LCBS-28	28.6
LCBS-30	30.0
LCBS-35	35.0
LCBS-38	38.0
LCBS-45	45.0

HOLE IN CHASSIS  $\phi 4.8$   
CHASSIS THICKNESS 0.8~2.2

NOTE: All measurement does not include gate which raises under 0.3mm.



康揚企業股份有限公司  
KANG YANG HARDWARE ENTERPRISE CO., LTD.  
康揚塑膠(東莞)有限公司  
KANG YANG PLASTIC(DONG GUAN) CO., LTD.  
康哲電腦配件(吳江)有限公司  
KANG CHE COMPUTER COMPONENTS(WUJIANG) CO., LTD.

TITLE	SPACER SUPPORT	SPEC. DWG.
MATERIAL	NYLON 66 UL94V-2	DATE 2001.11.08
FINISH		DRAWN <b>AMY</b>
COLOR	NATURAL	CHECK 
UNLESS OTHERWISE SPECIFIED TOLERANCE	SEE ABOVE	APPROVED <i>Kang</i>

PART NUMBER	SEE ABOVE	DRAWING NUMBER	LCBS-H
SIZE	A4	SCALE	NONE
UNIT	mm	REV	A