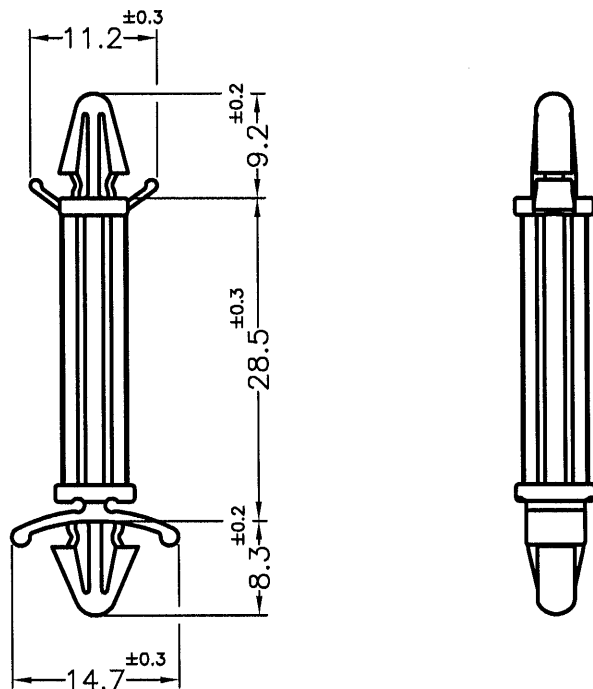



REVISIONS			
REV	DESCRIPTION	DATE	BY

HOLE IN P.C.B  $\phi 4$   
P.C.B THICKNESS 0.8~1.7mm



HOLE IN P.C.B  $\phi 4.8$   
P.C.B THICKNESS 0.8~1.7mm

- NOTE: 1. SHRINKING IS NORMAL STATUS.  
內縮為正常現象.  
2. MADE OF EQUIVALENT MATERIAL.  
均可使用同等材質.

 <p>康揚企業股份有限公司 KANG YANG HARDWARE ENTERPRISE CO., LTD. 康揚塑膠(東莞)有限公司 KANG YANG PLASTIC(DONG GUAN) CO., LTD. 康哲電腦配件(吳江)有限公司 KANG CHE COMPUTER COMPONENTS(WUJIANG) CO., LTD.</p>				TITLE	SPEC. DWG.
				MATERIAL	DATE
				FINISH	DRAWN
				COLOR	CHECK
PART NUMBER	DRAWING NUMBER	UNLESS OTHERWISE SPECIFIED TOLERANCE	APPROVED		
LCBSA-28.5	LCBSA-H	NATURAL	SEE ABOVE		
SIZE	SCALE	UNIT	REV		
A4	3:2	mm	B		



*Kang*