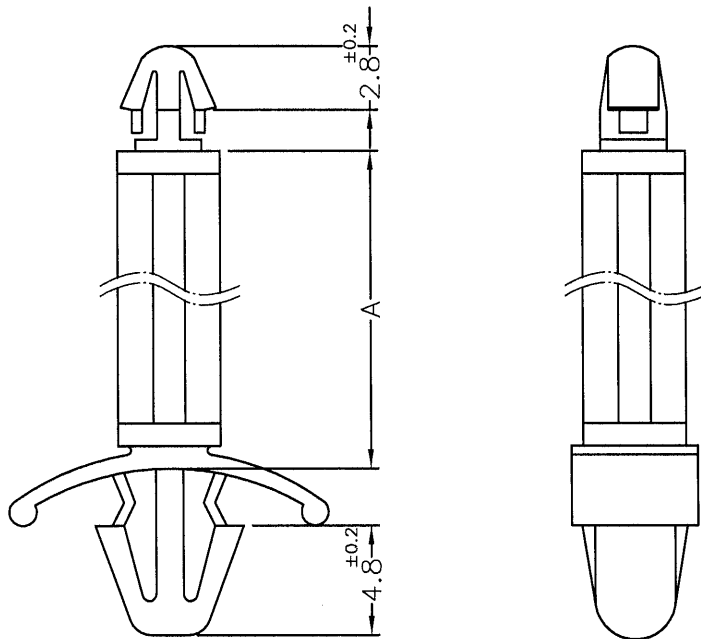


DIM.	TOL
5mm DOWN	±0.2
5~20mm	±0.3
20~40mm	±0.4
40~60mm	±0.5
60~100mm	±0.8
100mm UP	±1.0

REVISIONS			
REV	DESCRIPTION	DATE	BY


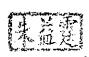
HOLE IN PCB: $\phi 3.0\text{mm}$
PCB THICKNESS: 1.2~1.7mm



PART NO.	A
LCBT-3	3.2
LCBT-5	4.8
LCBT-6	6.3
LCBT-8	8.0
LCBT-10	10.0
LCBT-12	12.0
LCBT-14	14.0
LCBT-16	16.0
LCBT-18	18.0
LCBT-25	25.0

HOLE IN CHASSIS: $\phi 4.8\text{mm}$
CHASSIS THICKNESS: 0.8~2.2mm

- NOTE: 1. SHRINKING IS NORMAL STATUS.
內縮為正常現象。
2. MADE OF EQUIVALENT MATERIAL.
均可使用同等材質。

 <p>康揚企業股份有限公司 KANG YANG HARDWARE ENTERPRISE CO., LTD. 康揚塑膠(東莞)有限公司 KANG YANG PLASTIC(DONG GUAN) CO., LTD. 康哲電腦配件(吳江)有限公司 KANG CHE COMPUTER COMPONENTS(WUJIANG) CO., LTD.</p>				TITLE	SPEC. DWG.	
				MATERIAL	DATE	
				FINISH	DRAWN	
PART NUMBER		DRAWING NUMBER		COLOR	CHECK	
SEE ABOVE		LCBT-H		NATURAL		
SIZE	SCALE	UNIT	REV	UNLESS OTHERWISE SPECIFIED TOLERANCE	APPROVED	
A4	NONE	mm	A	SEE ABOVE	