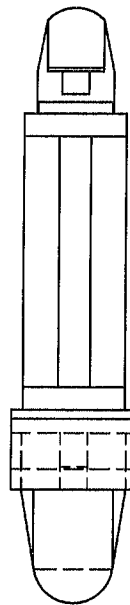
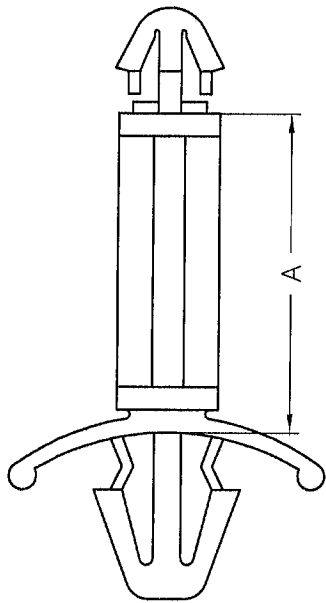


DIM.	TOL.
5mmDOWN	±0.2
5~20mm	±0.3
20~40mm	±0.4
40~60mm	±0.5
60~100mm	±0.8
100mmUP	±1.0

REVISIONS			
REV	DESCRIPTION	DATE	BY


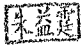
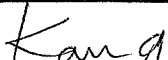
HOLE IN P.C.B:  $\phi 3.5$   
P.C.B THICKNESS: 1.2~1.7



PART NO.	A
LCBU-3	3.2
LCBU-5	5.0
LCBU-6	6.3
LCBU-8	8.0
LCBU-10	10.0
LCBU-12	12.0
LCBU-14	14.0
LCBU-16	16.0
LCBU-18	18.0
LCBU-25	25.0

HOLE IN CHASSIS:  $\phi 4.8$   
CHASSIS THICKNESS: 0.8~2.2

NOTE: All measurement does not include gate which raises under 0.3mm.

 <p>康揚企業股份有限公司 KANG YANG HARDWARE ENTERPRISE CO., LTD. 康揚塑膠(東莞)有限公司 KANG YANG PLASTIC(DONG GUAN) CO., LTD. 康哲電腦配件(吳江)有限公司 KANG CHE COMPUTER COMPONENTS(WUJIANG) CO., LTD.</p>		TITLE	SPACER SUPPORT	SPEC. DWG.			
		MATERIAL	NYLON 66 UL94V-2	DATE	2003.04.17		
		FINISH		DRAWN	Linda		
		COLOR	NATURAL	CHECK			
PART NUMBER	SEE ABOVE	DRAWING NUMBER	LCBU-	UNLESS OTHERWISE SPECIFIED TOLERANCE	SEE ABOVE	APPROVED	
SIZE	A4	SCALE	NONE	UNIT	mm	REV	B