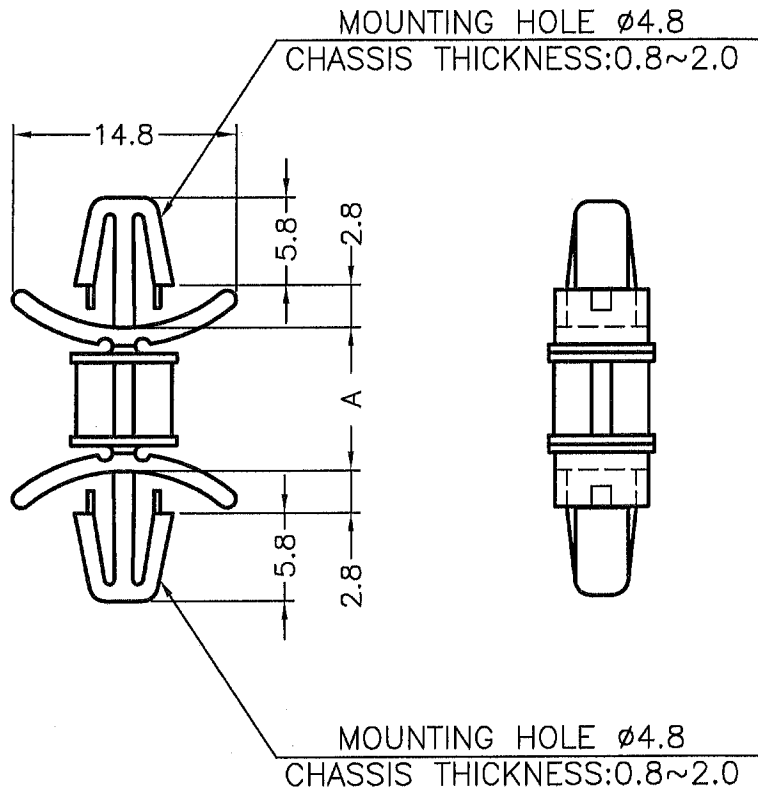



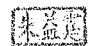
DIM.	TOL.
5mm DOWN.	±0.2
5~20mm	±0.3
20~40mm	±0.4
40~60mm	±0.5
60~100mm	±0.8
100mm UP.	±1.0

REVISIONS			
REV	DESCRIPTION	DATE	BY

PART NO.	A
LCBY-6.4	6.4
LCBY-9.5	9.5
LCBY-12.7	12.7
LCBY-15.9	15.9
LCBY-19.1	19.1
LCBY-22.2	22.2



NOTE: All measurement does not include gate which raises under 0.3mm.

 康揚企業股份有限公司 KANG YANG HARDWARE ENTERPRISE CO., LTD. 康揚塑膠(東莞)有限公司 KANG YANG PLASTIC(DONG GUAN) CO., LTD. 康哲電腦配件(吳江)有限公司 KANG CHE COMPUTER COMPONENTS(WUJIANG) CO., LTD.				TITLE	SPACER SUPPORT	TITLE	SPEC. DWG.
				MATERIAL	NYLON 66 UL94V-2	DATE	2005.09.05
PART NUMBER				FINISH	DRAWN		
SEE ABOVE				DRAWN		Linda	
DRAWING NUMBER				COLOR	CHECK		
LCBY-				NATURAL		APPROVED	
SIZE	SCALE	UNIT	REV	UNLESS OTHERWISE SPECIFIED TOLERANCE		APPROVED	
A4	2:1	mm	A	SEE ABOVE		Kang	