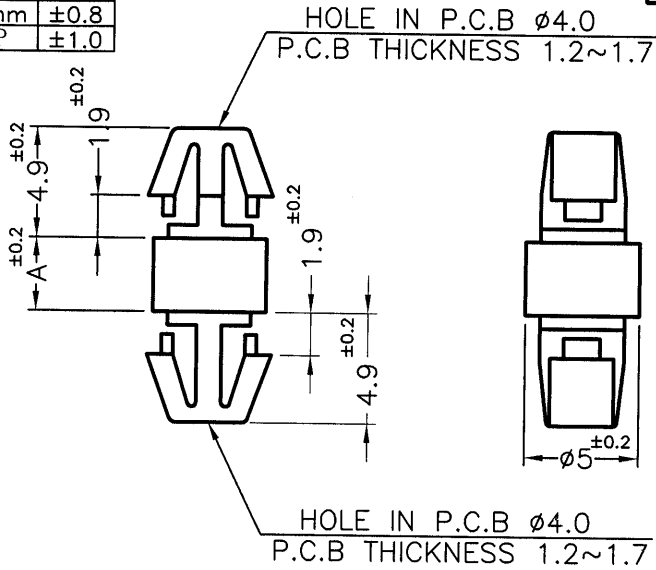
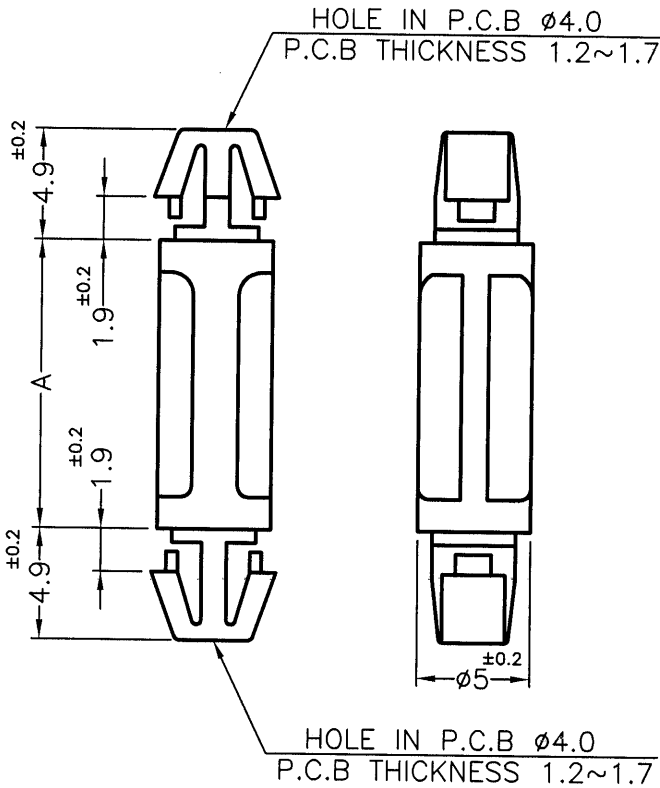


DIM	TOL
5mm DOWN	±0.2
5~20mm	±0.3
20~40mm	±0.4
40~60mm	±0.5
60~100mm	±0.8
100mm UP	±1.0

REVISIONS			
REV	DESCRIPTION	DATE	BY



PART NO.	A
LCC-3S	3.0
LCC-3	3.5
LCC-4	4.0



PART NO.	A	PART NO.	A
LCC-5	5.0	LCC-20	20.0
LCC-6S	6.0	LCC-25	25.0
LCC-6	6.4	LCC-25.4	25.4
LCC-7	7.0	LCC-27	27.0
LCC-8	8.0	LCC-30	30.0
LCC-9.5	9.5	LCC-34	34.0
LCC-10S	10.0	LCC-40	40.0
LCC-10	10.5	LCC-45	45.0
LCC-11.5	11.5	LCC-55	55.0
LCC-12S	12.0	LCC-69	69.0
LCC-12	12.7	LCC-71	71.2
LCC-14	14.0	LCC-72	72.0
LCC-15	15.9	LCC-74	74.2
LCC-18	18.0	LCC-80	80.0
LCC-19	19.0		

NOTE: MADE OF EQUIVALENT MATERIAL.
均可使用同等材質。



康揚企業股份有限公司
KANG YANG HARDWARE ENTERPRISE CO., LTD.
康揚塑膠(東莞)有限公司
KANG YANG PLASTIC(DONG GUAN) CO., LTD.
康哲電腦配件(吳江)有限公司
KANG CHE COMPUTER COMPONENTS(WUJIANG) CO., LTD.

TITLE SPACER SUPPORT		SPEC. DWG.	
MATERIAL NYLON 66 UL94V-2		DATE 1997.11.18	
FINISH		DRAWN JASON	
COLOR NATURAL		CHECK 彭永承	
UNLESS OTHERWISE SPECIFIED TOLERANCE SEE ABOVE		APPROVED Kang	

PART NUMBER SEE ABOVE		DRAWING NUMBER LCC-H	
SIZE A4	SCALE NONE	UNIT mm	REV F