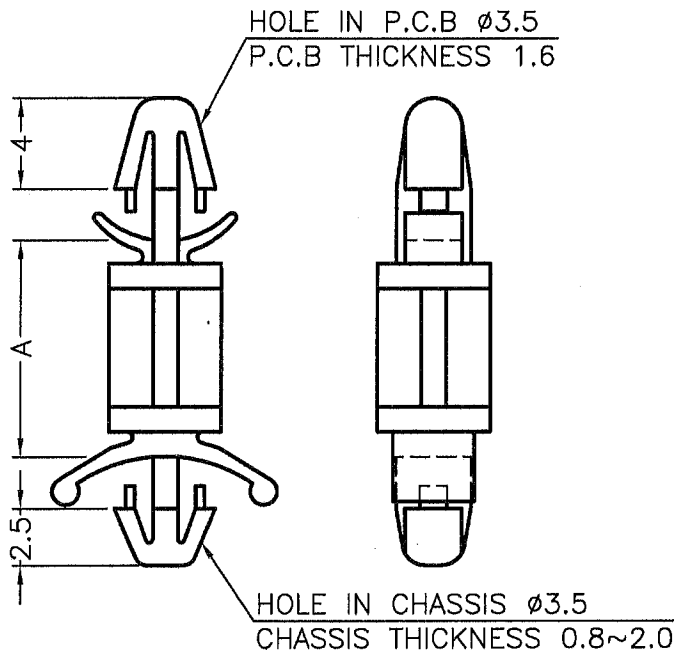



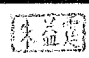
DIM.	TOL.
5mm DOWN	±0.2
5~20mm	±0.3
20~40mm	±0.4
40~60mm	±0.5
60~100mm	±0.8
100mm UP	±1.0

REVISIONS			
REV	DESCRIPTION	DATE	BY



PART NO.	A
LCD-4	4.0
LCD-5	4.8
LCD-6	6.4
LCD-7	7.0
LCD-8	8.0
LCD-9	9.6
LCD-11	11.2
LCD-12	12.7
LCD-14	14.0
LCD-16	16.0
LCD-18	18.0
LCD-19	19.1
LCD-27	27.5

NOTE: All measurement does not include gate which raises under 0.3mm.

 <p>康揚企業股份有限公司 KANG YANG HARDWARE ENTERPRISE CO., LTD. 康揚塑膠(東莞)有限公司 KANG YANG PLASTIC(DONG GUAN) CO., LTD. 康哲電腦配件(吳江)有限公司 KANG CHE COMPUTER COMPONENTS(WUJIANG) CO., LTD.</p>	TITLE SPACER SUPPORT		SPEC. DWG.	
	MATERIAL NYLON 66 UL94V-2		DATE 1998.09.01	
	FINISH		DRAWN S.J.C.	
	COLOR NATURAL		CHECK 	
PART NUMBER SEE ABOVE	DRAWING NUMBER LCD-H		UNLESS OTHERWISE SPECIFIED TOLERANCE SEE ABOVE	
SIZE A4	SCALE NONE	UNIT mm	REV C	APPROVED 