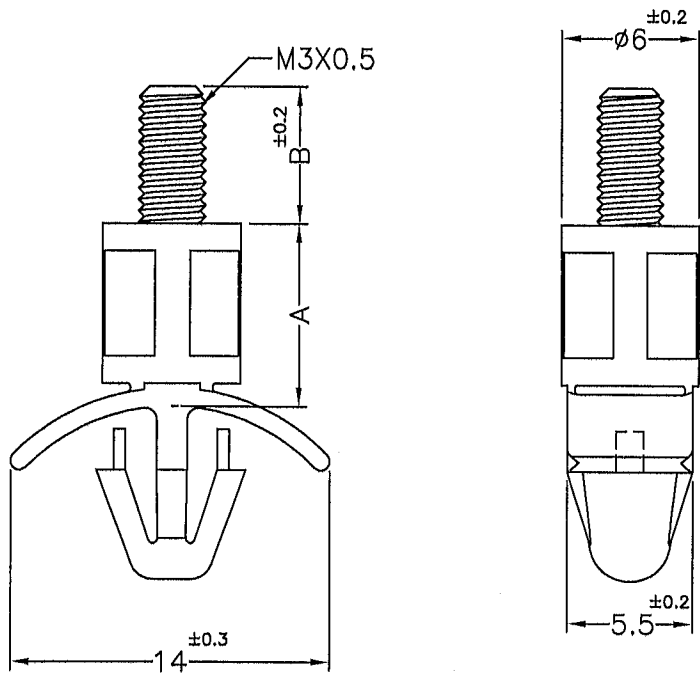


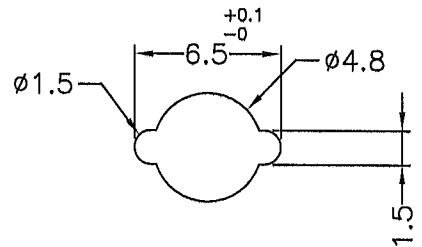
DIM.	TOL.
5mm DOWN	±0.2
5~20mm	±0.3
20~40mm	±0.4
40~60mm	±0.5
60~100mm	±0.8
100mm UP	±1.0

REVISIONS			
REV	DESCRIPTION	DATE	BY




PART NO.	A	B
LCDS3-3	3.0	4.0
LCDS3-4	4.0	4.0
LCDS3-5	5.0	4.0
LCDS3-6	6.0	6.0
LCDS3-7	7.0	6.0
LCDS3-8	8.0	6.0
LCDS3-9	9.0	6.0
LCDS3-10	10	6.0
LCDS3-11	11	6.0
LCDS3-12	12	6.0
LCDS3-13	13	6.0
LCDS3-14	14	6.0
LCDS3-15	15	6.0

HOLE IN CHASSIS $\phi 4.8$
CHASSIS THICKNESS 0.8~2.5



MOUNTING HOLE

NOTE:MADE OF EQUIVALENT MATERIAL.
均可使用同等材質.

 康揚企業股份有限公司 KANG YANG HARDWARE ENTERPRISE CO., LTD. 康揚塑膠(東莞)有限公司 KANG YANG PLASTIC(DONG GUAN)CO.,LTD. 康哲電腦配件(吳江)有限公司 KANG CHE COMPUTER COMPONENTS(WUJIANG) CO.,LTD.		TITLE	SPACER SUPPORT	SPEC. DWG.
		MATERIAL	NYLON 66 UL94V-2	DATE
PART NUMBER		FINISH	COLOR	CHECK
SEE ABOVE			NATURAL	SAI
DRAWING NUMBER		UNLESS OTHERWISE SPECIFIED TOLERANCE		APPROVED
LCDS3-H		SEE ABOVE		Kang
SIZE	SCALE	UNIT	REV	
A4	3:1	mm	A	