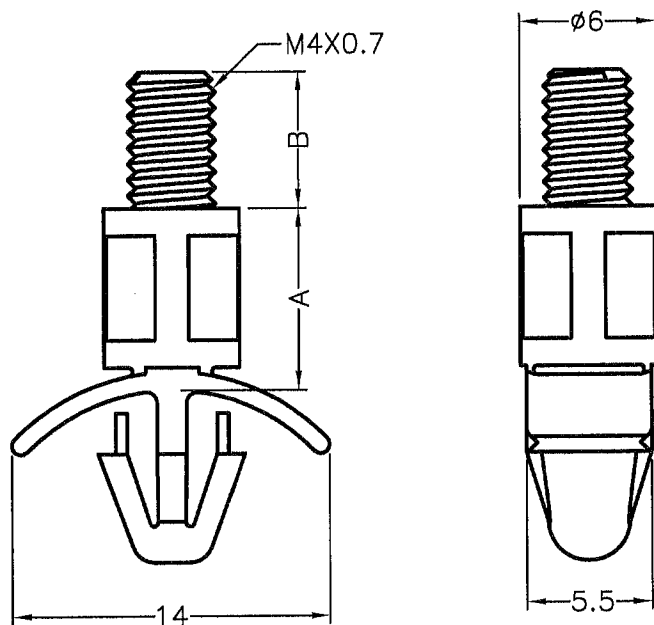


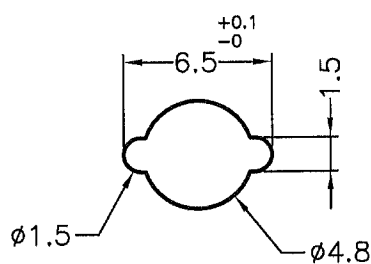
DIM.	TOL.
5mm DOWN	±0.2
5~20mm	±0.3
20~40mm	±0.4
40~60mm	±0.5
60~100mm	±0.8
100mm UP	±1.0

REVISIONS			
REV	DESCRIPTION	DATE	BY



PART NO.	A	B
LCDS4-3	3.0	4.0
LCDS4-4	4.0	4.0
LCDS4-5	5.0	4.0
LCDS4-6	6.0	6.0
LCDS4-7	7.0	6.0
LCDS4-8	8.0	6.0
LCDS4-9	9.0	6.0
LCDS4-10	10	6.0
LCDS4-11	11	6.0
LCDS4-12	12	6.0
LCDS4-13	13	6.0
LCDS4-14	14	6.0
LCDS4-15	15	6.0

HOLE IN CHASSIS $\phi 4.8$
CHASSIS THICKNESS 0.8~2.5



MOUNTING HOLE

K 康揚企業股份有限公司
KANG YANG HARDWARE ENTERPRISE CO., LTD.
康揚塑膠(東莞)有限公司
KANG YANG PLASTIC(DONG GUAN) CO., LTD.
ISO 9001
ISO 14001
QC 080000 康哲電腦配件(吳江)有限公司
KANG CHE COMPUTER COMPONENTS(WUJIANG) CO., LTD.

TITLE	SPACER SUPPORT	SPEC. DWG.
MATERIAL	NYLON 66 UL94V-2	DATE 2010.11.08
FINISH		DRAWN SAI
COLOR	NATURAL	CHECK
UNLESS OTHERWISE SPECIFIED TOLERANCE	SEE ABOVE	APPROVED <i>Kang</i>

PART NUMBER	SEE ABOVE	DRAWING NUMBER	LCDS4-H
SIZE	A4	UNIT	mm
SCALE	NONE	REV	A