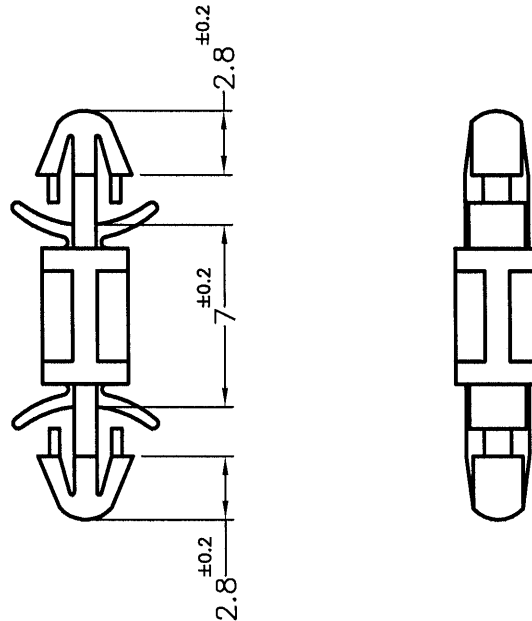




REVISIONS			
REV	DESCRIPTION	DATE	BY

MOUNTING HOLE  $\phi 3$   
THICKNESS 1.2~2.0mm



MOUNTING HOLE  $\phi 3$   
THICKNESS 1.2~2.0mm

- NOTE: 1. SHRINKING IS NORMAL STATUS.  
內縮為正常現象。  
2. MADE OF EQUIVALENT MATERIAL.  
均可使用同等材質。

 <p>康揚企業股份有限公司 KANG YANG HARDWARE ENTERPRISE CO., LTD. 康揚塑膠(東莞)有限公司 KANG YANG PLASTIC(DONG GUAN) CO., LTD. 康哲電腦配件(吳江)有限公司 KANG CHE COMPUTER COMPONENTS(WUJIANG) CO., LTD.</p>		TITLE	SPACER SUPPORT	SPEC. DWG.	
		MATERIAL	NYLON 66 UL94V-2	DATE	1999.08.26
		FINISH		DRAWN	JASON
		COLOR	NATURAL	CHECK	
PART NUMBER	LCF-7	DRAWING NUMBER	LCF-7	UNLESS OTHERWISE SPECIFIED TOLERANCE	SEE ABOVE
SIZE	A4	SCALE	3:1	UNIT	mm
		REV	A	APPROVED	