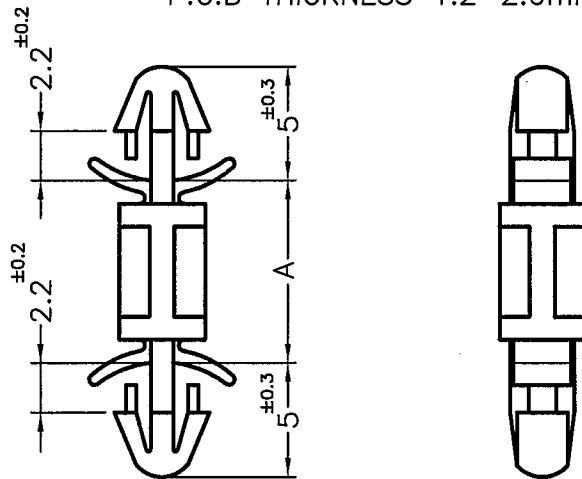


DTM.	TOL
5mm UP	±0.2
5~20mm	±0.3
20~40mm	±0.4
40~60mm	±0.5
60~100mm	±0.8
100mm DOWN	±1.0

HOLE IN P.C.B ϕ 3.0mm
P.C.B THICKNESS 1.2~2.0mm



HOLE IN P.C.B ϕ 3.0mm
P.C.B THICKNESS 1.2~2.0mm

PART NO.	A
LCF-3	3.2
LCF-4	4.0
LCF-5	5.0
LCF-6	6.35
LCF-8	8.0
LCF-9	9.5
LCF-10.6	10.67
LCF-11	11.2
LCF-12	12.0
LCF-15	15.0
LCF-16	16.0
LCF-17	17.0
LCF-20	20.2
LCF-22	22.0
LCF-25	25.4

NOTE:MADE OF EQUIVALENT MATERIAL.
可使用同等材質.



康揚企業股份有限公司
KANG YANG HARDWARE ENTERPRISE CO., LTD.
康揚塑膠(東莞)有限公司
KANG YANG PLASTIC(DONG GUAN)CO.,LTD.
康哲電腦配件(吳江)有限公司
KANG CHE COMPUTER COMPONENTS(WUJIANG)CO.,LTD.

PROPRIETARY AND CONFIDENTIAL THE INFORMATION CONTAINED IN THIS DRAWING IS THE SOLE PROPERTY OF KANG YANG HARDWARE ENTERPRISE CO. ANY REPRODUCTION IN PART OR AS A WHOLE WITHOUT THE WRITTEN PERMISSION OF KANG YANG HARDWARE ENTERPRISE CO. IS PROHIBITED.	DATE	1999.08.26	TITLE	SPACER SUPPORT		DWG. NO.	LCF-H		PART NO.	SEE ABOVE	
	DRAWN	JASON	MATERIAL	NYLON 66 UL94V-2		SIZE	A4		SPEC. DWG.	REV D	
	CHECKED		COLOR	NATURAL	FINISH						
	APPROVED		UNLESS OTHERWISE SPECIFIED TOLERANCE: SEE ABOVE		SCALE: NONE	UNIT	mm		SHEET 1 OF 1		