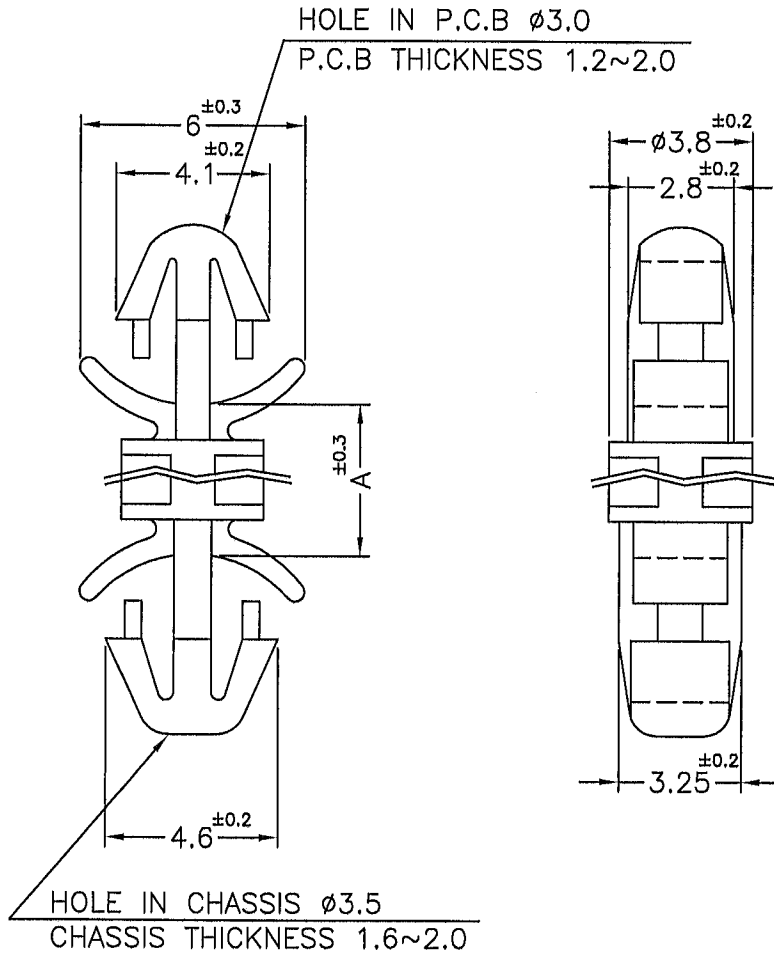

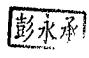


REVISIONS			
REV	DESCRIPTION	DATE	BY



PART NO.	A
LCFO-4.8	4.8
LCFO-6	6.0
LCFO-6.4	6.4
LCFO-7	7.0
LCFO-8	8.0
LCFO-9	9.0
LCFO-10	10
LCFO-11.5	11.5
LCFO-12.7	12.7
LCFO-14	14
LCFO-16	16

NOTE:MADE OF EQUIVALENT MATERIAL.  
可使用同等材質.

 <p>康揚企業股份有限公司 KANG YANG HARDWARE ENTERPRISE CO., LTD. 康揚塑膠(東莞)有限公司 KANG YANG PLASTIC(DONG GUAN) CO.,LTD. 康哲電腦配件(吳江)有限公司 KANG CHE COMPUTER COMPONENTS(WUJIANG) CO.,LTD.</p>	TITLE SPACER SUPPORT		SPEC. DWG.	
	MATERIAL NYLON 66 UL94V-2		DATE 2010.03.11	
	FINISH		DRAWN SAI	
	COLOR NATURAL		CHECK 	
PART NUMBER SEE ABOVE	DRAWING NUMBER LCFO-H		UNLESS OTHERWISE SPECIFIED TOLERANCE SEE ABOVE	
SIZE A4	SCALE 5:1	UNIT mm	REV A	APPROVED 