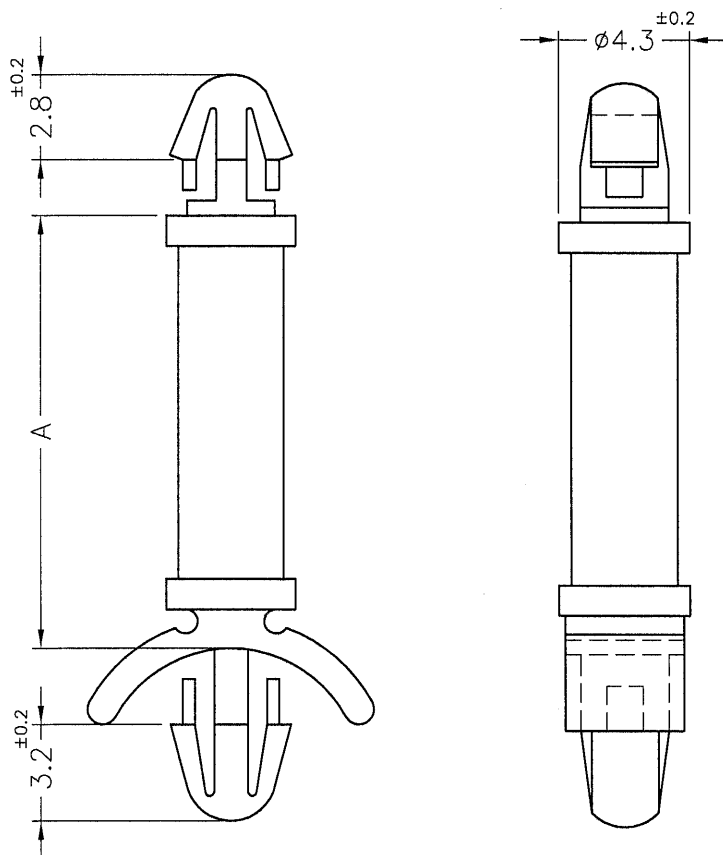


DIM.	TOL
5mm DOWN	±0.2
5~20mm	±0.3
20~40mm	±0.4
40~60mm	±0.5
60~100mm	±0.8
100mm UP	±1.0

REVISIONS			
REV	DESCRIPTION	DATE	BY

HOLE IN P.C.B: $\phi 3.0\text{mm}$
P.C.B THICKNESS: 1.2~1.7mm



PART NO.	A
LCG-3	3.2
LCG-5	4.8
LCG-6	6.4
LCG-8	7.9
LCG-9	9.5
LCG-11	11.1
LCG-12	12.7
LCG-14	14.3
LCG-15	15.9
LCG-17	17.0
LCG-18	18.0
LCG-19	19.0
LCG-20	20.0
LCG-26	26.0

HOLE IN CHASSIS: $\phi 3.0\text{mm}$
CHASSIS THICKNESS: 0.8~2.0mm

NOTE: 1. ALL MEASUREMENT DOES NOT INCLUDE GATE WHICH RAISES UNDER 0.3MM.
所有量測尺寸皆不包含入料點 0.3MM.
2. MADE OF EQUIVALENT MATERIAL.
可使用同等材質.

<p>康揚企業股份有限公司 KANG YANG HARDWARE ENTERPRISE CO., LTD. 康揚塑膠(東莞)有限公司 KANG YANG PLASTIC(DONG GUAN) CO., LTD. 康哲電腦配件(吳江)有限公司 KANG CHE COMPUTER COMPONENTS(WUJIANG) CO., LTD.</p>		TITLE	SPACER SUPPORT	SPEC. DWG	
		MATERIAL	NYLON 66 UL94V-2	DATE	2002.06.12
		FINISH		DRAWN	JASON
		COLOR	NATURAL	CHECK	
PART NUMBER	SEE ABOVE	DRAWING NUMBER	LCG-H	UNLESS OTHERWISE SPECIFIED TOLERANCE	SEE ABOVE
SIZE	A4	SCALE	4:1	UNIT	mm
				REV	D
			APPROVED		