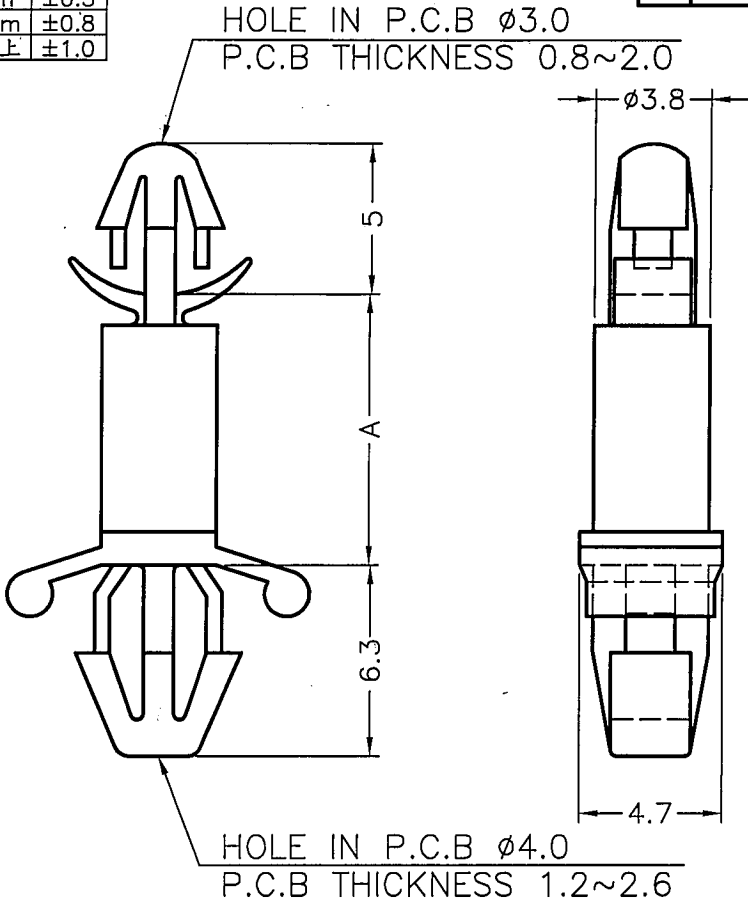


成型尺寸	公差
5mm以下	±0.2
5~20mm	±0.3
20~40mm	±0.4
40~60mm	±0.5
60~100mm	±0.8
100mm以上	±1.0

REVISIONS			
REV	DESCRIPTION	DATE	BY



PART NO.	A
LCH-3	3.5
LCH-4	4.0
LCH-5	5.0
LCH-6	6.3
LCH-7	7.4
LCH-8	8.5
LCH-10	10.0
LCH-11	11.0
LCH-12	12.7
LCH-15	15.9

Component - Plastics

E41938

E I DUPONT DE NEMOURS & CO INC
ENGINEERING POLYMERS, CHESTNUT RUN PLAZA, PO BOX 80713, WILMINGTON DE 19880
101(r9)(f1), 101F(r9)(f1), 101L(r9)(f1), E101(r9)(f1), E101L(r9)(f1)
Polyamide 66 (PA66), "Zytel", furnished as pellets

Color	Min Thk (mm)	Flame Class	HWI	HAI	RTI Elec	RTI Imp	RTI Str
ALL	0.71	V-2	4	0	130	75	85
	1.5	V-2	3	0	130	75	85
	3.0	V-2	2	0	130	75	85
	6.0	V-2	2	0	130	75	85

Comparative Tracking Index (CTI): 0

Dielectric Strength (kV/mm): 13

High-Voltage Arc Tracking Rate (HAVTR): 0

Dimensional Stability (%): -

Inclined Plane Tracking (IPT): -

Volume Resistivity (10⁸ ohm-cm): 14

High Volt, Low Current Arc Resis (D495): 6

(f1) - Suitable for outdoor use with respect to exposure to Ultraviolet Light, Water Exposure and Immersion in accordance with UL 746C.

NOTE - (1) Material designations that are color pigmented may be followed by suffix letters and numbers. (2) Material designations may be prefixed by "ZYT" for Zytel or "MIN" for Minlon or "DEL" for Delrin or "CRA" for Crastin or "RYN" for Rynite or "ETPV" for ETPV grades.

r9 - Virgin and regrind up to 50% by weight inclusive, have the same basic material characteristics for ALL colors down to 0.71mm. For thickness 0.40mm to 0.70mm the same basic material characteristics exist with the exception of generic RTIs for all properties and Regrind exceeding 25% is limited to V-2 Flammability for WT, RD, BK.

ANSI/UL 94 small-scale test data does not pertain to building materials, furnishings and related contents. ANSI/UL 94 small-scale test data is intended solely for determining the flammability of plastic materials used in the components and parts of end-product devices and appliances, where the acceptability of the combination is determined by UL.

Report Date: 1996-07-29

Last Revised: 2010-07-27

© 2011 Underwriters Laboratories Inc.



<p>康揚企業股份有限公司 KANG YANG HARDWARE ENTERPRISE CO., LTD. 康揚塑膠(東莞)有限公司 KANG YANG PLASTIC(DONG GUAN) CO., LTD. 康哲電腦配件(吳江)有限公司 KANG CHE COMPUTER COMPONENTS(WUJIANG) CO., LTD.</p>				TITLE	PC板間隔柱	產品規格圖面	
				MATERIAL	NYLON 66 UL94V-2	DATE	2002.03.11
				FINISH		DRAWN	JASON
				COLOR	NATURAL	CHECK	
PART NUMBER	SEE ABOVE	DRAWING NUMBER	LCH-H	UNLESS OTHERWISE SPECIFIED TOLERANCE	SEE ABOVE	APPROVED	
SIZE	A4	SCALE	NONE	UNIT	mm	REV	B