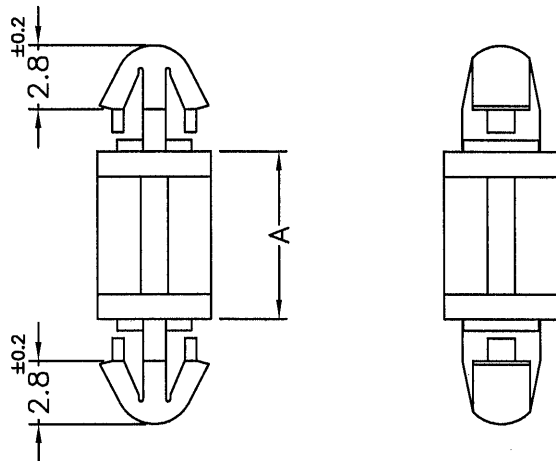


DIM.	TOL
5mm DOWN	±0.2
5~20mm	±0.3
20~40mm	±0.4
40~60mm	±0.5
60~100mm	±0.8
100mm UP	±1.0

REVISIONS			
REV	DESCRIPTION	DATE	BY

HOLE IN P.C.B $\phi 3.5\text{mm}$
P.C.B THICKNESS 1.2~1.7mm



P.C.B THICKNESS 1.2~1.7mm
HOLE IN P.C.B $\phi 3.5\text{mm}$


PART NO	A
LCI-3	3.0
LCI-3.5	3.5
LCI-4	4.0
LCI-4.5	4.5
LCI-5	5.0
LCI-5.5	5.5
LCI-6	6.0
LCI-6.5	6.35
LCI-7	7.0
LCI-8	8.0
LCI-9	9.0
LCI-10	10.0
LCI-11	11.0
LCI-12	12.0
LCI-15	15.0
LCI-20	20.0

NOTE:1. SHRINKING IS NORMAL STATUS.

內縮為正常現象.

2. MADE OF EQUIVALENT MATERIAL.

均可使用同等材質.

 <p>康揚企業股份有限公司 KANG YANG HARDWARE ENTERPRISE CO., LTD. 康揚塑膠(東莞)有限公司 KANG YANG PLASTIC(DONG GUAN) CO., LTD. ISO 9001 ISO 14001 QC 080000 康哲電腦配件(吳江)有限公司 KANG CHE COMPUTER COMPONENTS(WUJIANG) CO., LTD.</p>				TITLE SPACER SUPPORT	SPEC. DWG.
				MATERIAL NYLON 66 UL94V-2	DATE 2002.09.05
PART NUMBER SEE ABOVE		DRAWING NUMBER LCI-	FINISH	DRAWN Linda	
SIZE A4	SCALE NONE	UNIT mm	REV B	COLOR NATURAL	
UNLESS OTHERWISE SPECIFIED TOLERANCE SEE ABOVE				CHECK 薛梅	
				APPROVED Kang	