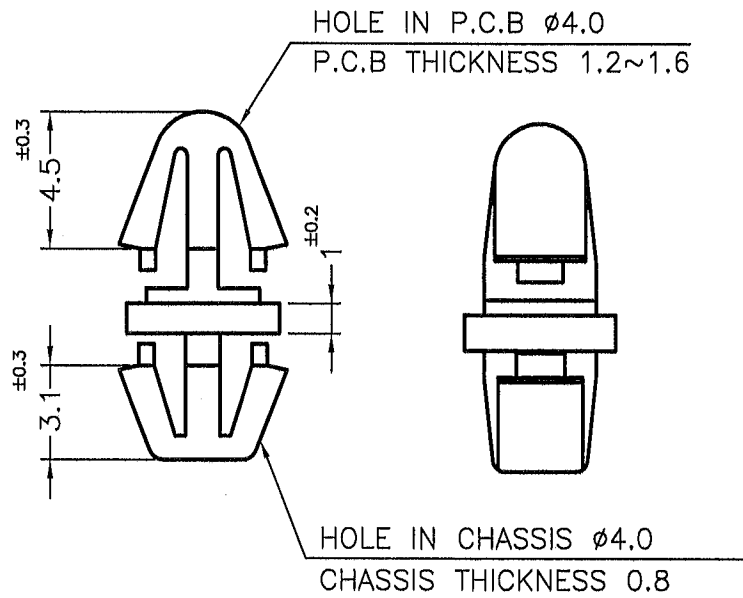

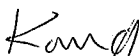


REVISIONS			
REV	DESCRIPTION	DATE	BY



PART NO.	MATERIAL	COLOR
LCK-1	NYLON 66 UL94V-2	NATURAL
LCK-1V0	NYLON 66 UL94V-0	NATURAL(WHITE)

NOTE: 1. NOTE: ALL MEASUREMENT DOES NOT INCLUDE GATE WHICH RAISES UNDER 0.3mm.
所有尺寸量測皆不含進膠口, 膠口凸出0.3mm之內.
2. MADE OF EQUIVALENT MATERIAL.
均可使用同等材質.

 <p>康揚企業股份有限公司 KANG YANG HARDWARE ENTERPRISE CO., LTD. 康揚塑膠(東莞)有限公司 KANG YANG PLASTIC(DONG GUAN) CO., LTD. 康哲電腦配件(吳江)有限公司 KANG CHE COMPUTER COMPONENTS(WUJIANG) CO., LTD.</p>	TITLE		SPEC. DWG.	
	MATERIAL		DATE	
	FINISH		DRAWN	
	COLOR		CHECK	
PART NUMBER	DRAWING NUMBER	UNLESS OTHERWISE SPECIFIED TOLERANCE		APPROVED
SEE ABOVE	LCK-1	SEE ABOVE		
SIZE	SCALE	UNIT	REV	
A4	4:1	mm	B	