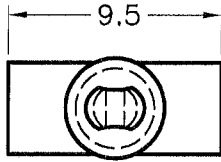
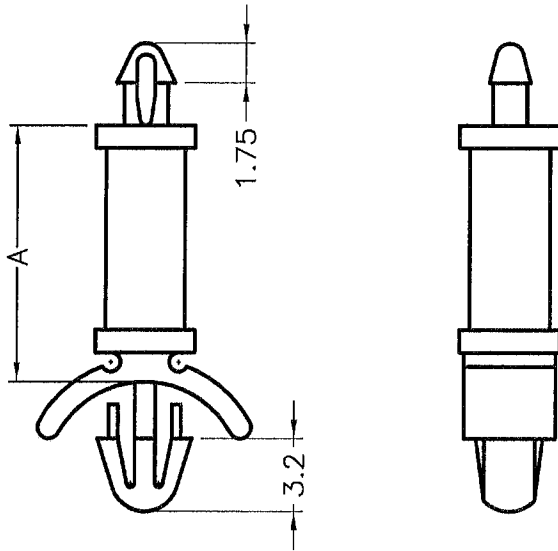


DIM.	TOL
5mm DOWN	±0.2
5~20mm	±0.3
20~40mm	±0.4
40~60mm	±0.5
60~100mm	±0.8
100mm UP	±1.0

REVISIONS			
REV	DESCRIPTION	DATE	BY



HOLE IN P.C.B ϕ 2.0mm
P.C.B THICKNESS 1.6mm



HOLE IN CHASSIS: ϕ 3~ ϕ 3.2mm
CHASSIS THICKNESS: 0.8~2.0mm

PART NO.	A
LCMA-3.2	3.2
LCMA-4.8	4.8
LCMA-6.4	6.4
LCMA-7.9	7.9
LCMA-9.5	9.5
LCMA-11.1	11.1
LCMA-12.7	12.7
LCMA-14.3	14.3
LCMA-15.9	15.9
LCMA-17.5	17.0

NOTE: All measurement does not include gate which raises under 0.3mm.



康揚企業股份有限公司
KANG YANG HARDWARE ENTERPRISE CO., LTD.
康揚塑膠(東莞)有限公司
KANG YANG PLASTIC(DONG GUAN) CO., LTD.
康哲電腦配件(吳江)有限公司
KANG CHE COMPUTER COMPONENTS(WUJIANG) CO., LTD.

TITLE SPACER SUPPORT		SPEC. DWG	
MATERIAL NYLON 66 UL94V-2		DATE 2006.12.13	
FINISH		DRAWN JOHNNY	
COLOR NATURAL		CHECK 	
UNLESS OTHERWISE SPECIFIED TOLERANCE SEE ABOVE		APPROVED 	

PART NUMBER SEE ABOVE		DRAWING NUMBER LCMA-H	
SIZE A4	SCALE NONE	UNIT mm	REV B